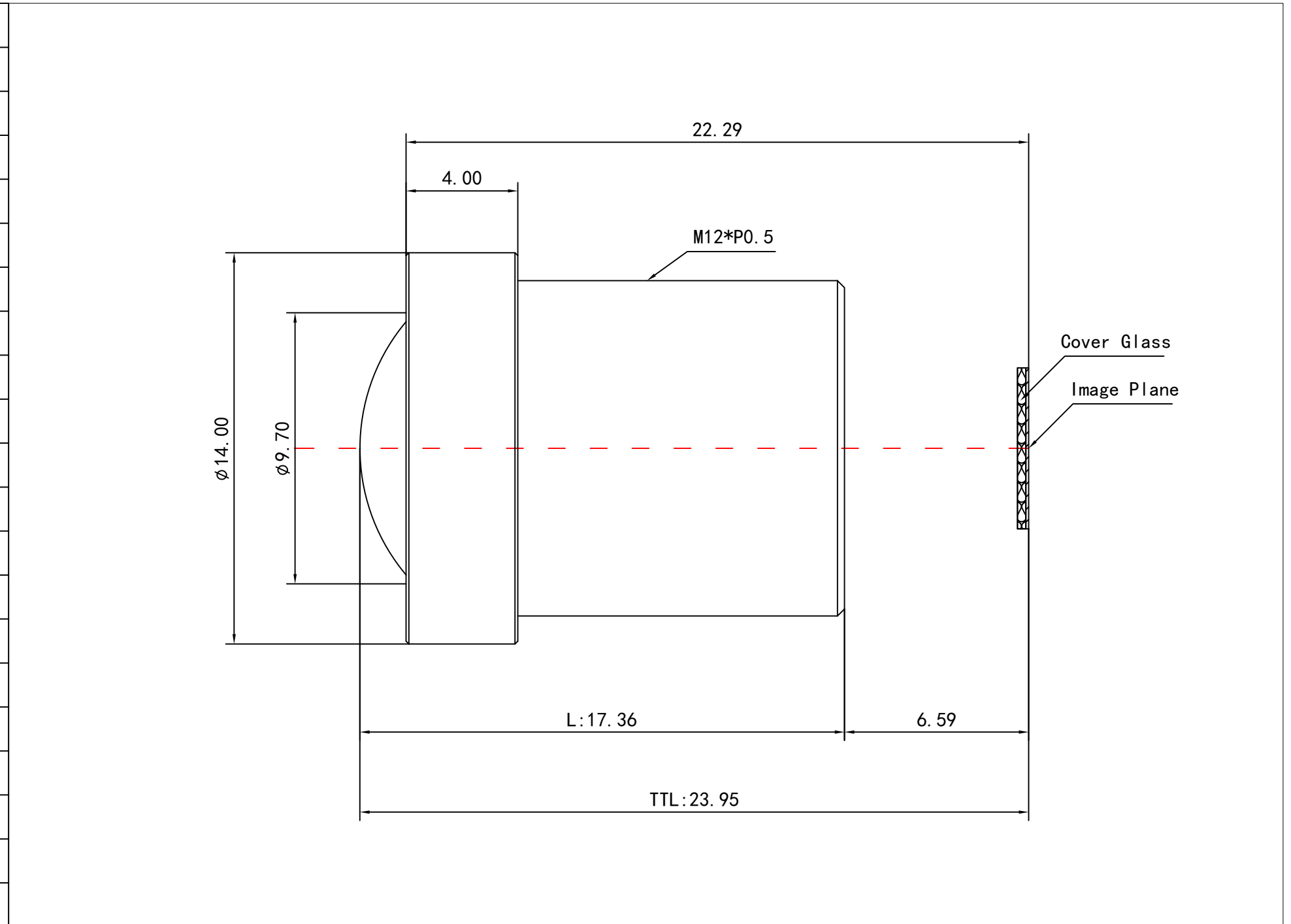
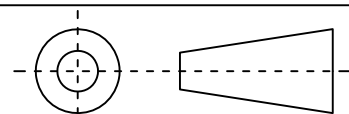


1	Type	Board Lens		
2	Resolution	3MP		
3	Image Format	1/2.7"&1/3"		
4	Image Circle	φ7.0mm(MAX)		
5	EFL	6.0mm		
6	TTL	23.95mm		
7	F/NO.	2.0		
8	FFL (M)	6.59mm		
9	BFL (O)	7.90mm		
10	For Sensor	1/2.7"	1/3"	
11	F.O.V	Horizontal	53°	47°
12		Vertical	39.5°	30.8°
13		Diagonal	70°	56°
14	TV Distortion	<-6.5%	<-4.56%	
15	Relative Ill.	>58%	>65%	
16	Chief Ray Angle	<15°	<13°	
17	M.O.D	0.1m~∞		
18	Mount Type	M12*P0.5		
19	Dimension Figure	φ14.0*L17.36mm		
20	Lens Structure	5G All Glass		
21	IR-Filter	Non-IR		
22	Weight	5g		
23	Iris Operation	Fixed		
24	Zoom Operation	Fixed		
25	Focus Operation	Manual		
26	Operating Temperature	-20° ~+85°		
27	Storage Temperature	-20° ~+85°		



Scale	Remark	Tolerances	Date	Revised		福州创安光电科技有限公司 FUZHOU CHUANGAN OPTICS CO., LTD
4: 1	X	± 0.1	2019-07-09	CH862A Rev1.0		
	X.0	± 0.05				
Units	X.00	± 0.03	Design	Linda	2017-02-06	 3D Angle Projection
	X.000	± 0.001	Checked	Anna	2017-03-10	
mm	Angle	± 0.5°	Approval	Sanmu	2017-03-15	