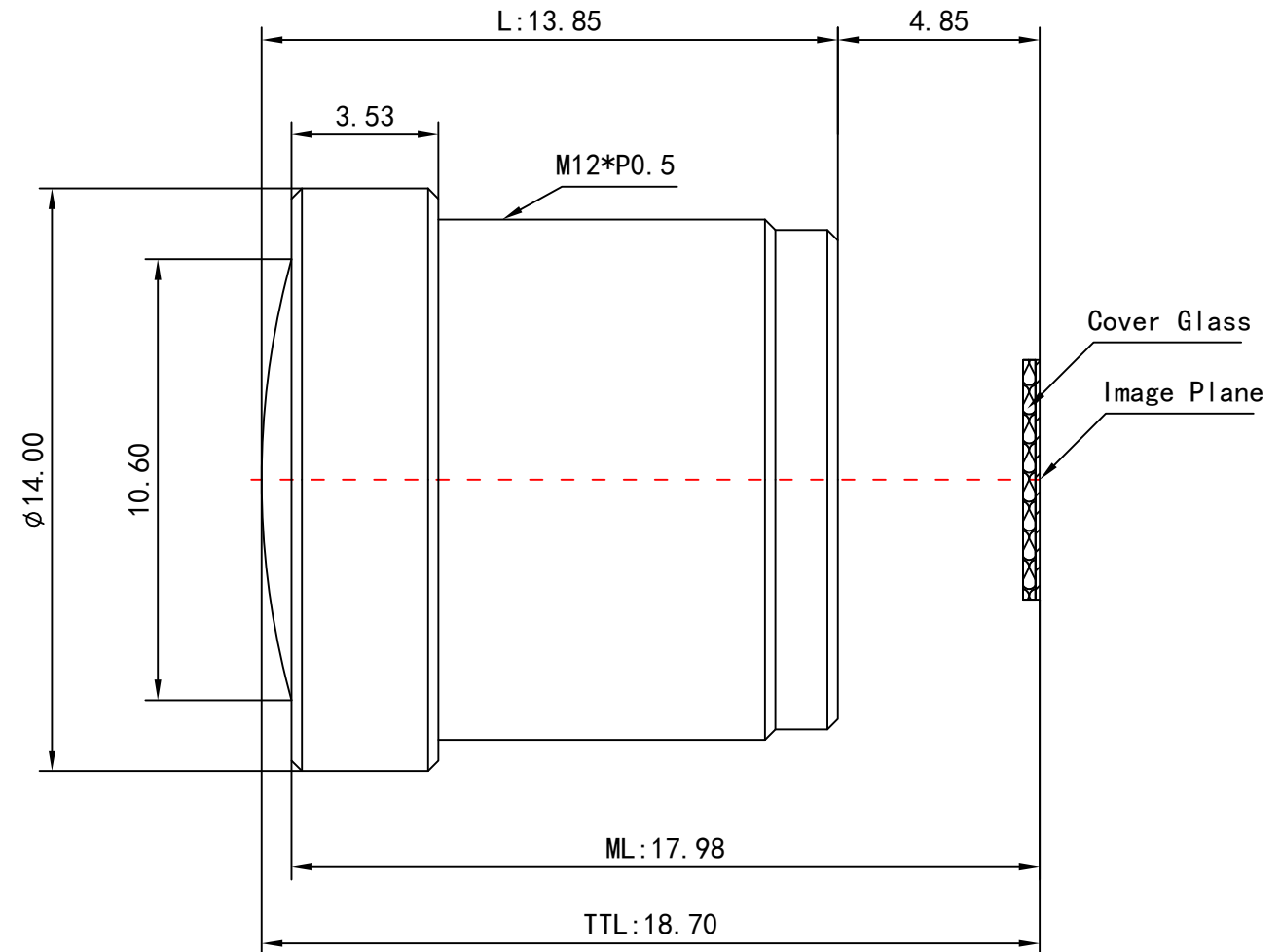


|    |                       |                |      |
|----|-----------------------|----------------|------|
| 1  | Type                  | Board Lens     |      |
| 2  | Resolution            | MP             |      |
| 3  | Image Format          | 1/3"           |      |
| 4  | Image Circle          | φ6.0mm(MAX)    |      |
| 5  | EFL                   | 2.1mm          |      |
| 6  | TTL                   | 18.7mm         |      |
| 7  | F/NO.                 | 2.0            |      |
| 8  | FFL (M)               | 4.85mm         |      |
| 9  | BFL (O)               | 5.56mm         |      |
| 10 | For Sensor            | 1/3"           |      |
| 11 | F.O.V                 | Horizontal     | 110° |
| 12 |                       | Vertical       | 90°  |
| 13 |                       | Diagonal       | 155° |
| 14 | TV Distortion         | < -20%         |      |
| 15 | Relative Ill.         | > 65%          |      |
| 16 | Chief Ray Angle       | < 15°          |      |
| 17 | M.O.D                 | 0.1m~∞         |      |
| 18 | Mount Type            | M12*P0.5       |      |
| 19 | Dimension Figure      | φ14.0*L13.85mm |      |
| 20 | Lens Structure        | 6G             |      |
| 21 | IR-Filter             | Non-IR         |      |
| 22 | Weight                | 4.8g           |      |
| 23 | Iris Operation        | Fixed          |      |
| 24 | Zoom Operation        | Fixed          |      |
| 25 | Focus Operation       | Manual         |      |
| 26 | Operating Temperature | -20° ~+85°     |      |
| 27 | Storage Temperature   | -20° ~+85°     |      |



| Scale | Remark | Tolerances | Date       | Revised       |            | 福州创安光电科技有限公司<br>FUZHOU CHUANGAN OPTICS CO., LTD |
|-------|--------|------------|------------|---------------|------------|---|
| 4: 1  | X      | ± 0.2      | 2019-07-08 | CH826A Rev1.0 |            |   |
|       | X.0    | ± 0.15     |            |               |            |   |
| Units | X.00   | ± 0.10     | Design     | Linda         | 2013-08-05 |   |
|       | X.000  | ± 0.001    | Checked    | Anna          | 2013-11-03 |   |
| mm    | Angle  | ± 0.5°     | Approval   | Sanmu         | 2013-11-01 |   |

