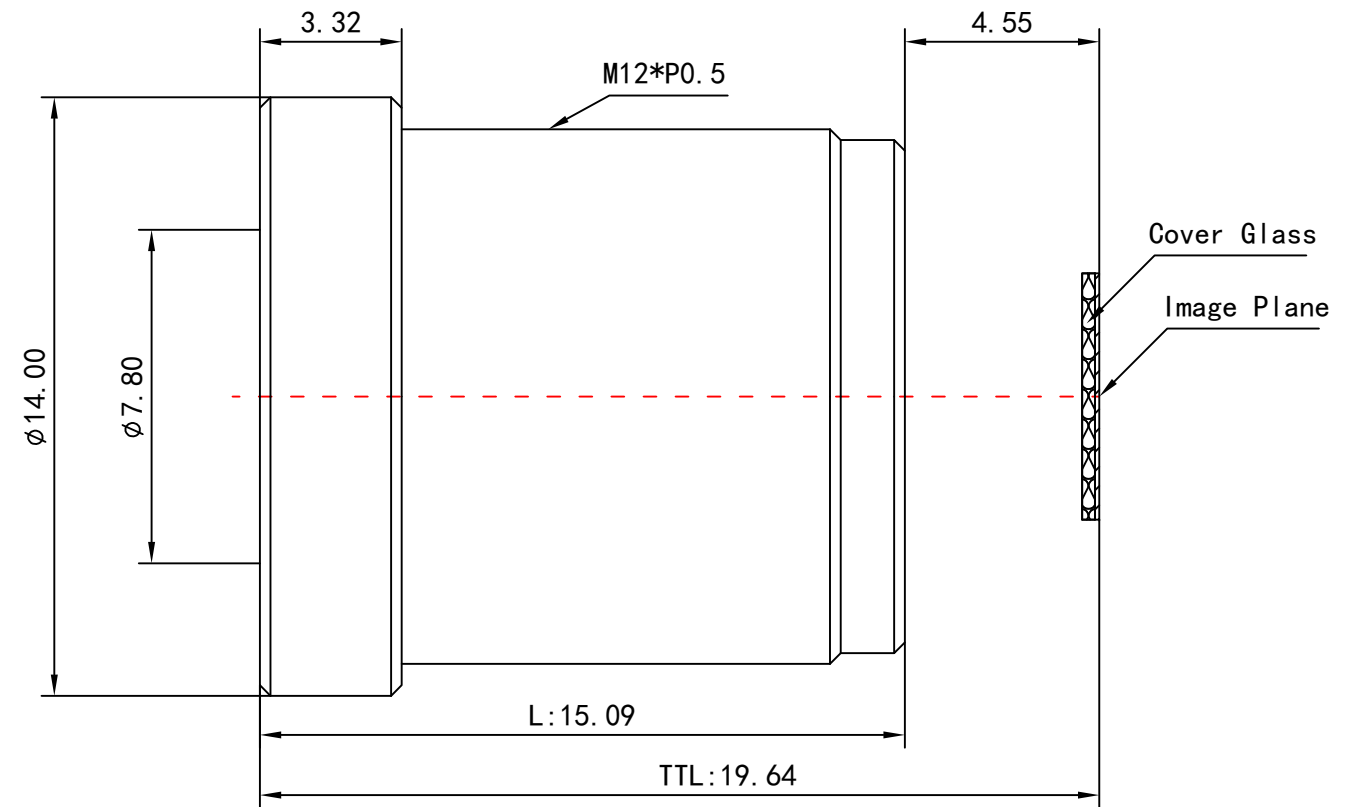


1	Type	Board Lens	
2	Resolution	0.8MP	
3	Image Format	1/3"	
4	Image Circle	φ6.7mm(MAX)	
5	EFL	3.6mm	
6	TTL	19.64mm	
7	F/NO.	2.0	
8	FFL (M)	4.55mm	
9	BFL (O)	5.01mm	
10	For Sensor	1/3"	
11	F.O.V	Horizontal	78°
12		Vertical	56°
13		Diagonal	90°
14	TV Distortion	<-16.3%	
15	Relative Ill.	>65%	
16	Chief Ray Angle	<15°	
17	M.O.D	0.1m~∞	
18	Mount Type	M12*P0.5-6g	
19	Dimension Figure	φ14.0*L15.09mm	
20	Lens Structure	4G All Glass	
21	IR-Filter	No IR	
22	Weight	4.0g	
23	Iris Operation	Fixed	
24	Zoom Operation	Fixed	
25	Focus Operation	Manual	
26	Operating Temperature	-20° ~+85°	
27	Storage Temperature	-20° ~+85°	



Scale	Remark	Tolerances	Date	Revised		福州创安光电科技有限公司 FUZHOU CHUANGAN OPTICS CO., LTD
4: 1	X	± 0.2	2019-07-07	CH815A Rev1.0		
	X.0	± 0.15				
Units	X.00	± 0.10	Design	Linda	2011-06-05	
	X.000	± 0.001	Checked	Anna	2011-08-03	
mm	Angle	± 0.5°	Approval	Sanmu	2011-08-08	

