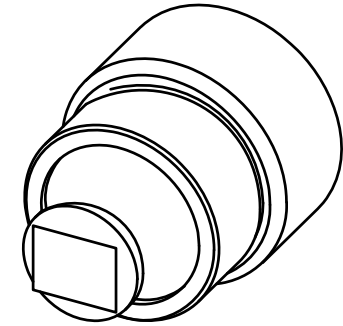
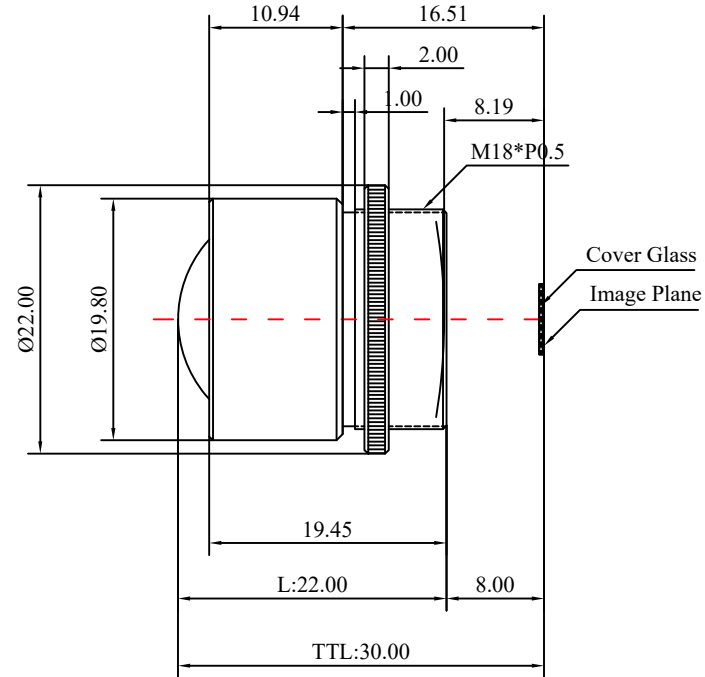
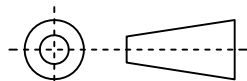


1	Type	LWIR Lens	
2	Image Circle	Ø9.84mm	
3	EFL	7.5mm	
4	F/No.	F1.0	
5	FFL	8.00mm	
6	BFL	8.19mm	
7	Detector	640*512 (12um)	
8	F.O.V	Horizontal	60°
9		Vertical	47.5°
10		Diagonal	78.8°
11	Resolution	≥0.8 mrad	
12	Wavelength	8~12um	
13	Athermalization	Yes	
14	Coating	DLC coating available	
15	Transmission	>86%	
16	M.O.D	0.5m~∞	
17	Mount	M18*P0.5	
18	Dimension	Ø22.0*22.0mm	
19	Surface Treatment	/	
20	IP Rating	/	
21	Weight	16g	
22	Focus Operation	Fixed	
23	Operating Temperature	-40°C~+80°C	
24	Storage Temperature	-40°C~+85°C	



Scale	Remark	Tolerances	Date	Revised		福州创安光电科技有限公司 FUZHOU CHUANGAN OPTICS CO., LTD
4:1	X	±0.2	2020-05-05	CH8107A Rev1.0		
	X.0	±0.15				
Units	X.00	±0.10	Design	Linda	2020-03-18	 3D Angle Projection
	X.000	±0.001	Checked	Anna	2020-04-03	
mm	Angle	±0.5°	Approval	Sanmu	2020-05-06	