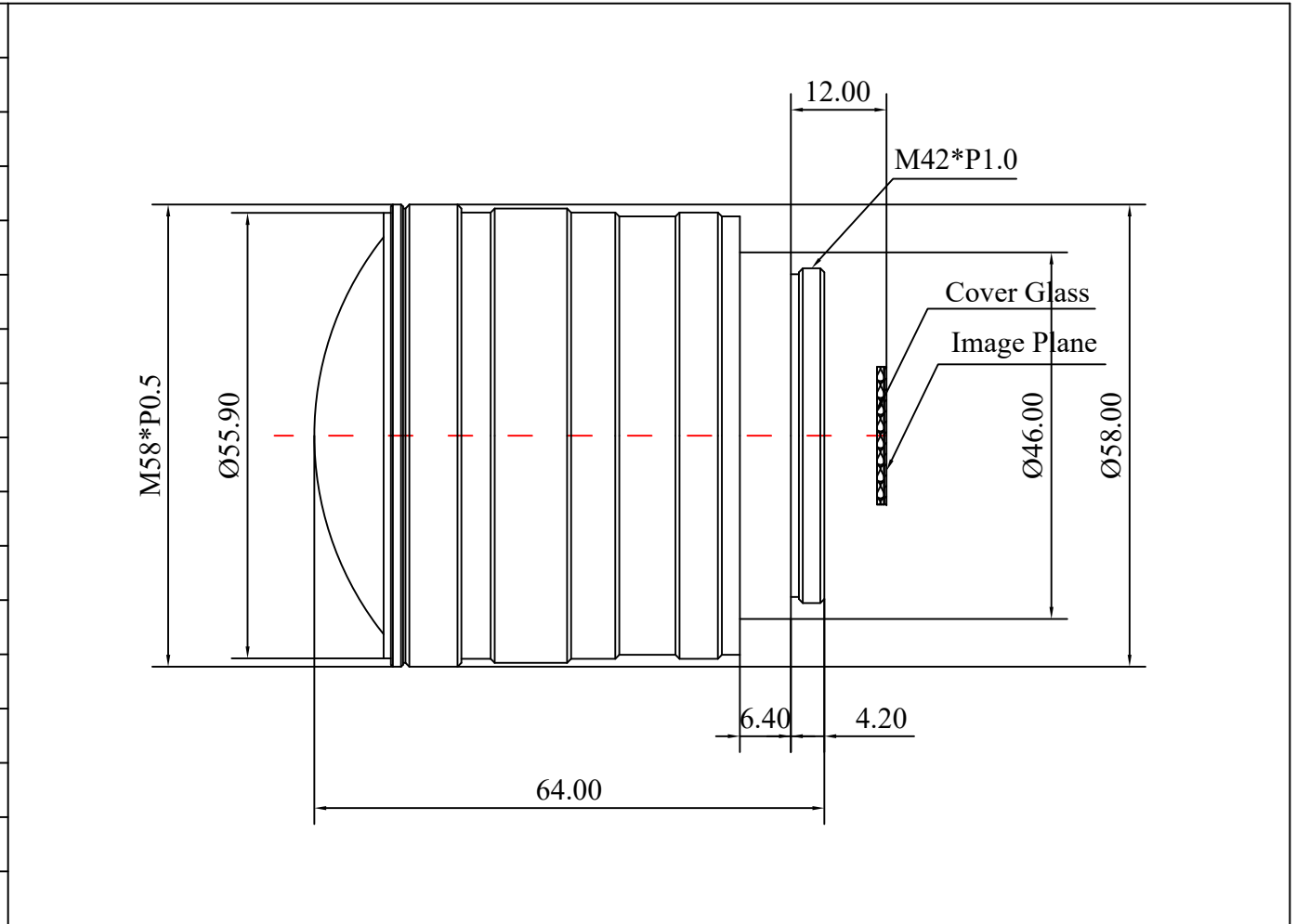
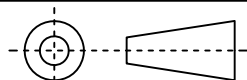


1	Type	Line Scan lens
2	Resolution	4K/7 $\mu$ m
3	Image Format	/
4	Image Circle	$\phi$ 30.00mm(MAX)
5	EFL	7.5mm
6	F/NO.	F2.8-22
7	FFL (M)	12.0mm
8	BFL (O)	/
9	For Sensor	/
10	F.O.V	180°
11	TV Distortion	/
12	M.O.D	0.12m $\sim$ $\infty$
13	Mount Type	M42*P1.0
14	Dimension Figure	$\phi$ 58.00*L64.0mm
15	Lens Structure	/
16	Filter Size	/
17	Weight	253g
18	Iris Operation	Manual
19	Zoom Operation	Fixed
20	Focus Operation	Manual
21	Operating Temperature	-20° ~+85°
22	Storage Temperature	-20° ~+85°



Scale	Remark	Tolerances	Date	Revised	
	X	$\pm$ 0.2	2024-11-05	CH8097A Rev1.0	
4:1	X.0	$\pm$ 0.15			
	X.00	$\pm$ 0.10	Design	Linda	2023-03-14
Units	X.000	$\pm$ 0.001	Checked	Anna	2023-04-26
	Angle	$\pm$ 0.5°	Approval	Sanmu	2023-06-15

福州创安光电科技有限公司  
FUZHOU CHUANGAN OPTICS CO., LTD



3D Angle Projection