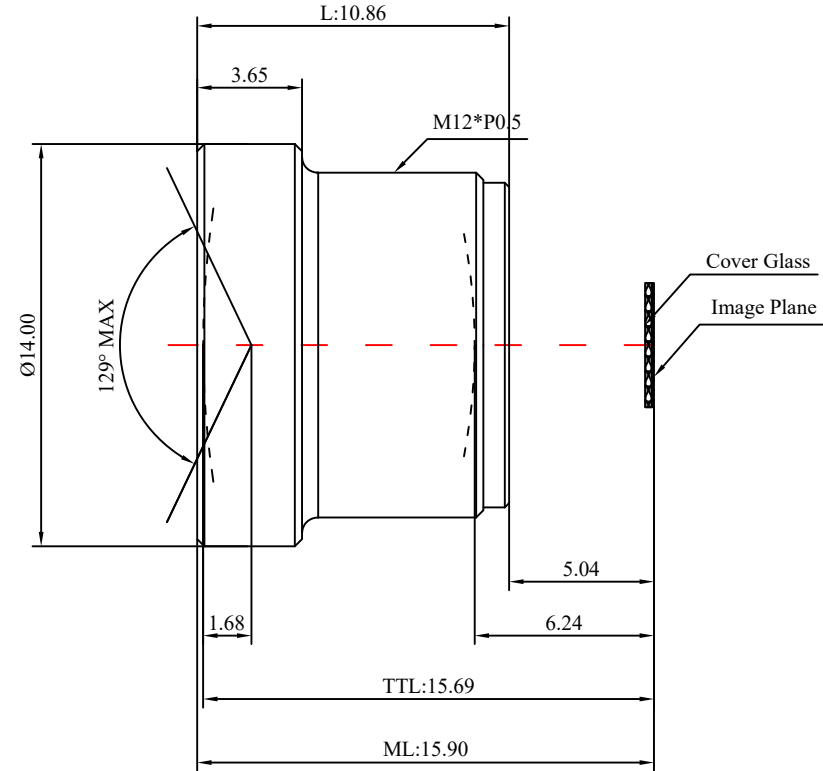
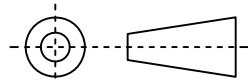


1	Type	M12 Lens		
2	Resolution	5MP		
3	Image Format	1/2.5"		
4	Image Circle	φ7.5mm(MAX)		
5	EFL	3.75mm		
6	TTL	15.69mm		
7	F/NO.	2.0		
8	FFL (M)	5.04mm		
9	BFL (O)	6.24mm		
10	For Sensor	IMX335	IMX415	
11	F.O.V	Horizontal	83°	90°
12		Vertical	62°	49°
13		Diagonal	109°	104°
14	OPT Distortion	<-39%@6.52	<-39%@6.43	
15	Relative Ill.	>59%@6.52	>60%@6.43	
16	Chief Ray Angle	<17°		
17	M.O.D	0.1m~∞		
18	Mount Type	M12*P0.5		
19	Dimension Figure	φ14.0*L10.86mm		
20	Lens Structure	6G		
21	IR-Filter	IR650nm		
22	Waterproof	IP67		
23	Weight	3.4g		
24	Iris Operation	Fixed		
25	Zoom Operation	Fixed		
26	Focus Operation	Manual		
27	Operating Temperature	-25° ~+85°		
28	Storage Temperature	-25° ~+85°		



Scale	Remark	Tolerances	Date	Revised	
4:1	X	±0.2	2024-10-11	CH8091BB Rev1.0	
	X.0	±0.15			
Units	X.00	±0.10	Design	Linda	2024-05-03
	X.000	±0.001	Checked	Anna	2024-05-08
mm	Angle	±0.5°	Approval	Sanmu	2024-05-12

福州创安光电科技有限公司
FUZHOU CHUANGAN OPTICS CO., LTD



3D Angle Projection