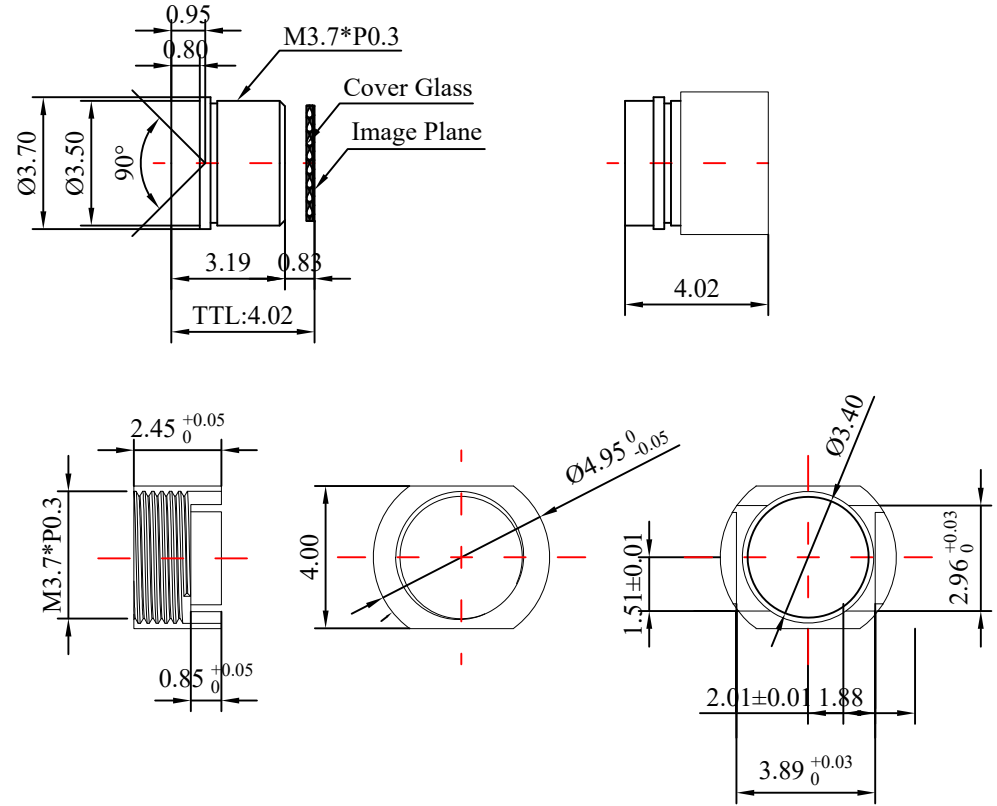
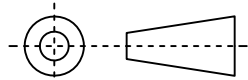


1	Type	Low Distortion Lens	
2	Resolution	2MP	
3	Image Format	1/6"	
4	Image Circle	φ3.2mm(MAX)	
5	EFL	1.5mm	
6	TTL	4.02mm	
7	F/NO.	F5.8	
8	FFL (M)	0.83mm	
9	BFL (O)	1.50mm	
10	For Sensor	OV2740	
11	F.O.V	Horizontal	80°
12		Vertical	50°
13		Diagonal	85°
14	TV Distortion	<-1%	
15	Relative Ill.	>41%	
16	Chief Ray Angle	<33°	
17	M.O.D	0.01m~∞	
18	Mount Type	M3.7*P0.3	
19	Dimension Figure	φ3.7*L3.19mm	
20	Lens Structure	1G3P	
21	IR-Filter	IR650nm/BF	
22	Waterproof	No	
23	Weight	---	
24	Iris Operation	Fixed	
25	Zoom Operation	Fixed	
26	Focus Operation	Manual	
27	Operating Temperature	-15° ~+45°	
28	Storage Temperature	-15° ~+45°	



Scale	Remark	Tolerances	Date	Revised		福州创安光电科技有限公司 FUZHOU CHUANGAN OPTICS CO., LTD
				Design	2024-02-27	
4:1	X	±0.2	2024-10-08	CH8079AC Rev1.0		
	X.0	±0.15				
Units	X.00	±0.10		Linda	2024-02-27	 3D Angle Projection
	X.000	±0.001		Anna	2024-03-11	
mm	Angle	±0.5°		Sanmu	2024-03-17	