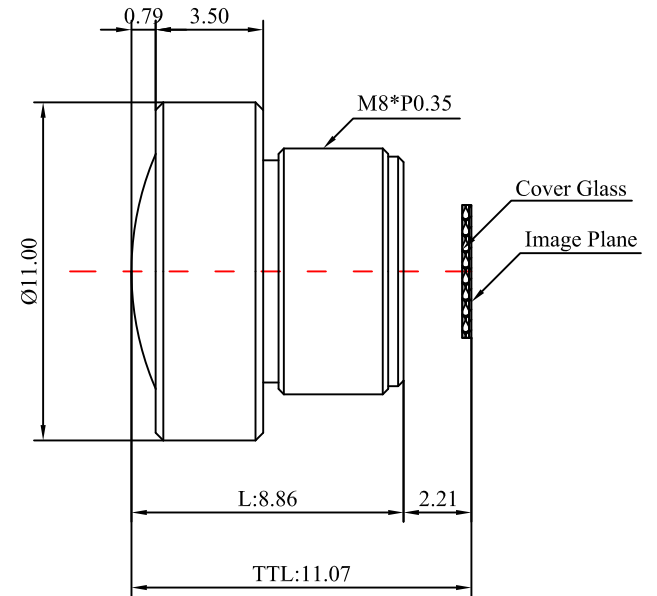
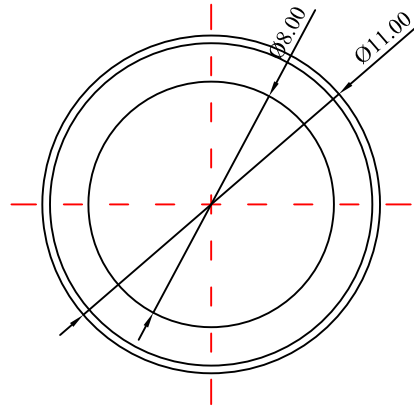
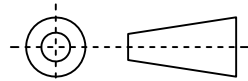


1	Type	M8 Lens	
2	Resolution	MP	
3	Image Format	1/4"	
4	Image Circle	φ5.3mm(MAX)	
5	EFL	1.52mm	
6	TTL	11.07mm	
7	F/NO.	2.8	
8	FFL (M)	2.21mm	
9	BFL (O)	3.00mm	
10	For Sensor	1/4"	
11	F.O.V	Horizontal	103.1°
12		Vertical	83.9°
13		Diagonal	119.0°
14	TV Distortion	<-9.4%	
15	Relative Ill.	>48.8%	
16	Chief Ray Angle	<21.99°	
17	M.O.D	0.1m~∞	
18	Mount Type	M8*P0.35	
19	Dimension Figure	φ11.0*L8.86mm	
20	Lens Structure	1G3P	
21	IR-Filter	IR650nm	
22	Waterproof	No	
23	Weight	---	
24	Iris Operation	Fixed	
25	Zoom Operation	Fixed	
26	Focus Operation	Manual	
27	Operating Temperature	-25° ~+85°	
28	Storage Temperature	-25° ~+85°	



Scale	Remark	Tolerances	Date	Revised	
4:1	X	±0.2	2024-03-05	CH8062AB Rev1.0	
	X.0	±0.15			
Units	X.00	±0.10	Design	Linda	2024-02-21
	X.000	±0.001	Checked	Anna	2024-02-26
mm	Angle	±0.5°	Approval	Sanmu	2024-03-04

福州创安光电科技有限公司
FUZHOU CHUANGAN OPTICS CO., LTD



3D Angle Projection