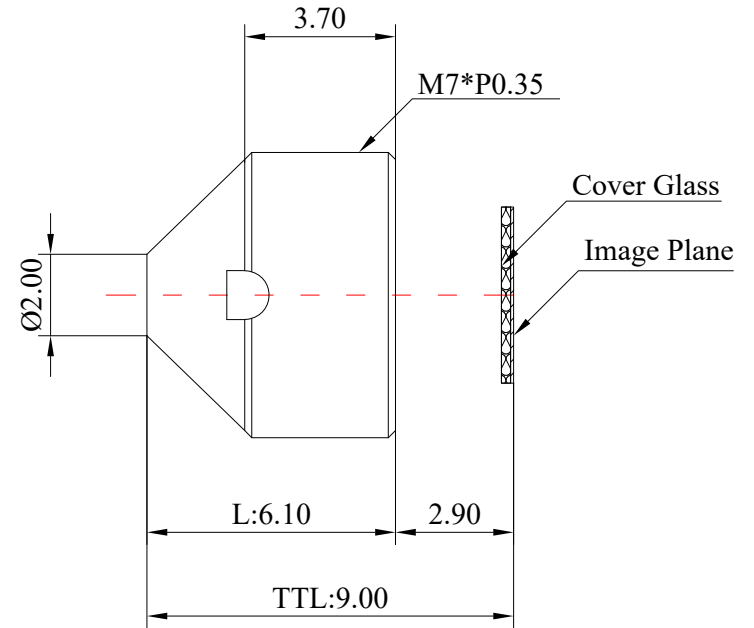
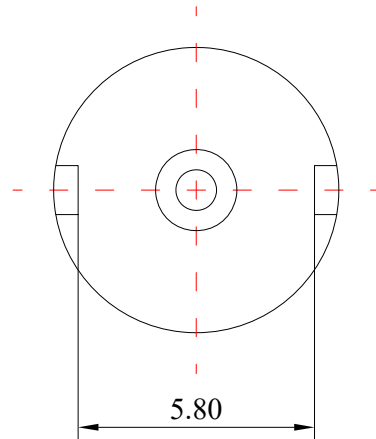


|    |                       |              |       |
|----|-----------------------|--------------|-------|
| 1  | Type                  | Pinhole Lens |       |
| 2  | Resolution            | 2MP          |       |
| 3  | Image Format          | 1/2.7"       |       |
| 4  | Image Circle          | φ6.1mm(MAX)  |       |
| 5  | EFL                   | 4.0mm        |       |
| 6  | TTL                   | 9.00mm       |       |
| 7  | F/NO.                 | 4.0          |       |
| 8  | FFL (M)               | 2.90mm       |       |
| 9  | BFL (O)               | 4.5mm        |       |
| 10 | For Sensor            | OV2735       |       |
| 11 | F.O.V                 | Horizontal   | 79°   |
| 12 |                       | Vertical     | 42.5° |
| 13 |                       | Diagonal     | 93°   |
| 14 | TV Distortion         | ---          |       |
| 15 | Relative Ill.         | ---          |       |
| 16 | Chief Ray Angle       | <18°         |       |
| 17 | M.O.D                 | 0.1m~∞       |       |
| 18 | Mount Type            | M7*P0.35     |       |
| 19 | Dimension Figure      | φ7.0*L6.10mm |       |
| 20 | Lens Structure        | 4G           |       |
| 21 | IR-Filter             | Non-IR       |       |
| 22 | Waterproof            | No           |       |
| 23 | Weight                | ---          |       |
| 24 | Iris Operation        | Fixed        |       |
| 25 | Zoom Operation        | Fixed        |       |
| 26 | Focus Operation       | Manual       |       |
| 27 | Operating Temperature | -25° ~+85°   |       |
| 28 | Storage Temperature   | -25° ~+85°   |       |



| Scale | Remark | Tolerances | Date       | Revised        |            |
|-------|--------|------------|------------|----------------|------------|
| 4:1   | X      | ±0.2       | 2024-04-16 | CH8060C Rev1.0 |            |
|       | X.0    | ±0.15      |            |                |            |
| Units | X.00   | ±0.10      | Design     | Linda          | 2024-04-03 |
|       | X.000  | ±0.001     | Checked    | Anna           | 2024-04-08 |
| mm    | Angle  | ±0.5°      | Approval   | Sanmu          | 2024-04-12 |

福州创安光电科技有限公司  
 FUZHOU CHUANGAN OPTICS CO., LTD

