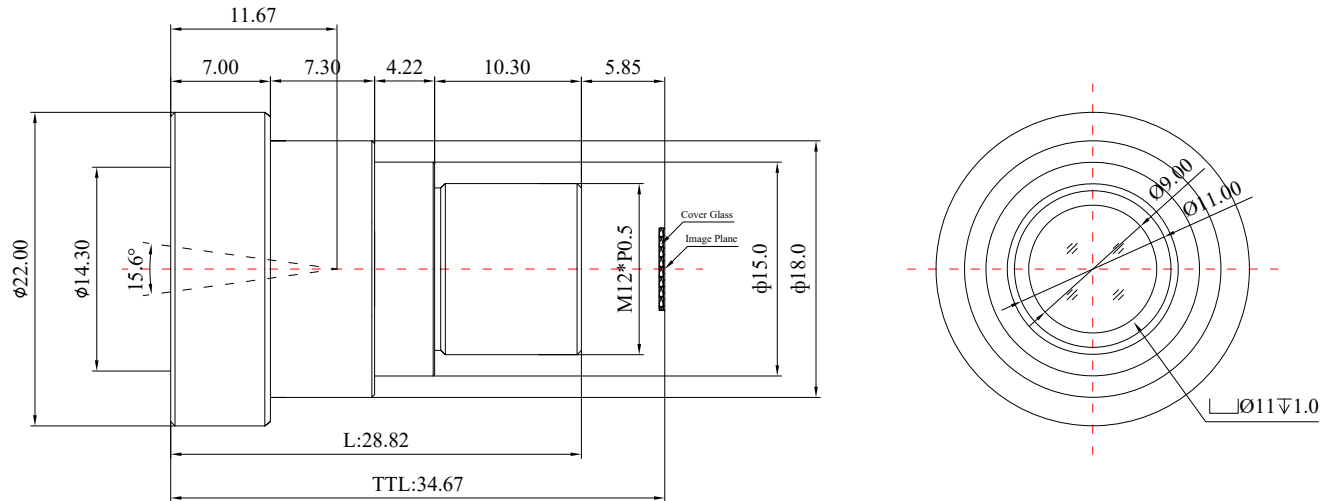
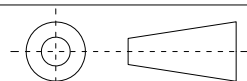


1	Type	Low Distortion Lens	
2	Resolution	12MP	
3	Image Format	1/1.8"	
4	Image Circle	φ9.2mm(MAX)	
5	EFL	35mm	
6	TTL	34.67mm	
7	F/NO.	2.4	
8	FFL (M)	5.85mm	
9	BFL (O)	7.6mm	
10	For Sensor	1/1.8"	
11	F.O.V	Horizontal	11.2°
12		Vertical	10°
13		Diagonal	15.6°
14	TV Distortion	<-2%	
15	Relative Ill.	>60%	
16	Chief Ray Angle	<10.2°	
17	M.O.D	0.3m~∞	
18	Mount Type	M12*P0.5	
19	Dimension Figure	φ22.0*L28.82mm	
20	Lens Structure	6G	
21	IR-Filter	IR650nm	
22	Weight	16.6g	
23	Iris Operation	Fixed	
24	Zoom Operation	Fixed	
25	Focus Operation	Manual	
26	Operating Temperature	-20° ~+85°	
27	Storage Temperature	-20° ~+85°	



Scale	Remark	Tolerances	Date	Revised	
4: 1	X	± 0.2	2023-06-15	CH8057AB Rev1.0	
	X.0	± 0.15			
Units	X.00	± 0.10	Design	Linda	2023-03-12
	X.000	± 0.001	Checked	Anna	2023-04-24
mm	Angle	± 0.5°	Approval	Sanmu	2023-05-16

福州创安光电科技有限公司  
 FUZHOU CHUANGAN OPTICS CO., LTD



3D Angle Projection