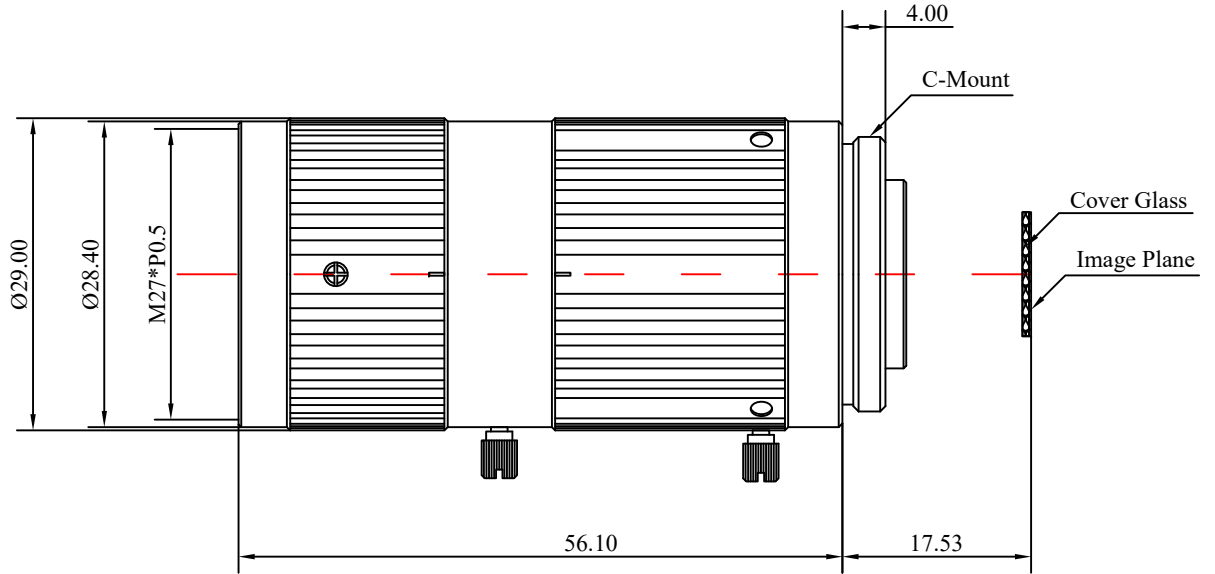
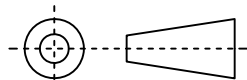


EFL		50mm		
F/No.		F2.8-16		
Resolution		10MP		
For Sensor		2/3" (8.8x6.6mm)	1/2" (6.4x4.8mm)	1/3" (4.8x3.6mm)
F.O.V	H	10.4°	8.2°	6.2°
	V	8.4°	7.2°	5.4°
	D	12.3°	9.6°	7.2°
Object Dimension at 150mm	H	46.8mm	34mm	25.5mm
	V	35.1mm	25.5mm	19.1mm
	D	58.5mm	42.5mm	31.9mm
TV Distortion		<-0.1%	<0.1%	<0.1%
M.O.D		0.3m~∞		
FFL		17.526mm		
BFL		12.4mm		
Filter Size		M27*0.5		
Front/ Rear Effective Dia		Ø16.8mm/Ø11.78mm		
Mount Type		C-Mount		
Operating Temperature		-20°C~+85°C		
Storage Temperature		-20°C~+85°C		
Working Distance(mm)	Optical Magnification	2/3" F.O.V (mm)		
5000	0.011X	800	600	
3000	0.018X	488.89	366.67	
2000	0.027X	325.93	244.44	
1000	0.054X	162.96	122.22	
800	0.068X	129.41	97.06	
750	0.073X	120.55	90.41	
700	0.078X	112.82	84.62	
650	0.084X	104.76	78.57	
600	0.092X	95.65	71.74	
550	0.1X	88	66	
500	0.111X	79.28	59.46	
450	0.123X	71.54	53.66	
400	0.139X	63.31	47.48	
350	0.16X	55	41.25	
300	0.16X	46.81	35.11	



Scale	Remark	Tolerances	Date	Revised		福州创安光电科技有限公司 FUZHOU CHUANGAN OPTICS CO., LTD
4:1	X	±0.2	2024-04-07	CH683A Rev1.0		 3D Angle Projection
	X.0	±0.15				
Units	X.00	±0.10	Design	Linda	2024-01-02	
	X.000	±0.001	Checked	Anna	2024-02-01	
mm	Angle	±0.5°	Approval	Sanmu	2024-03-18	