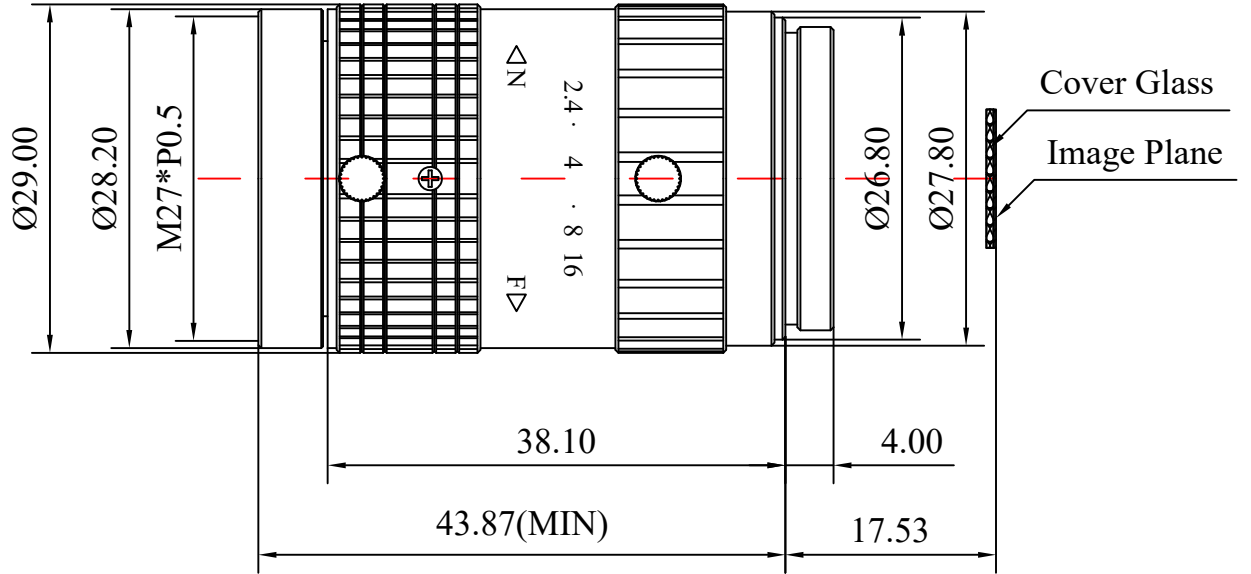
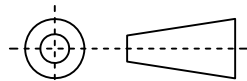


EFL		50mm	
F/No.		F2.4-16	
Resolution		12MP	
For Sensor		1/1.7" (7.4x5.62mm)	1/1.8" (7.4x4.9mm)
		1/2" (6.49x4.83mm)	
F.O.V	H	8.5°	8.5°
	V	6.4°	5.6°
	D	10.6°	10.1°
Object Dimension at 200mm	H	39.5mm	39.5mm
	V	30.2mm	26.3mm
	D	50.1mm	47.7mm
TV Distortion		<0.1%	<0.1%
		<0.03%	
M.O.D		0.3m-∞	
FFL		17.526mm	
BFL		23.812mm	
Filter Size		M27*P0.5	
Front/ Rear Effective Dia		Ø19mm/Ø12.9mm	
Mount Type		C-Mount	
Operating Temperature		-20°C~+85°C	
Storage Temperature		-20°C~+85°C	
Working Distance(mm)	Optical Magnification	1/1.7" F.O.V (mm)	
2000	0.0246X	300.8	228.5
1000	0.05X	148	112.4
900	0.056X	132.1	100.4
800	0.064X	115.6	87.8
700	0.073X	100.8	76.6
600	0.086X	86	65.3
550	0.095X	77.9	59.2
500	0.105X	70.5	53.5
450	0.118X	62.7	47.6
400	0.134X	55.2	41.9
350	0.156X	47.4	36.0
300	0.186X	39.5	30.2



Scale	Remark	Tolerances	Date	Revised		福州创安光电科技有限公司 FUZHOU CHUANGAN OPTICS CO., LTD
4:1	X	±0.2	2024-04-07	CH676A Rev1.0		
	X.0	±0.15				
Units	X.00	±0.10	Design	Linda	2024-01-02	 3D Angle Projection
	X.000	±0.001	Checked	Anna	2024-02-01	
mm	Angle	±0.5°	Approval	Sanmu	2024-03-18	