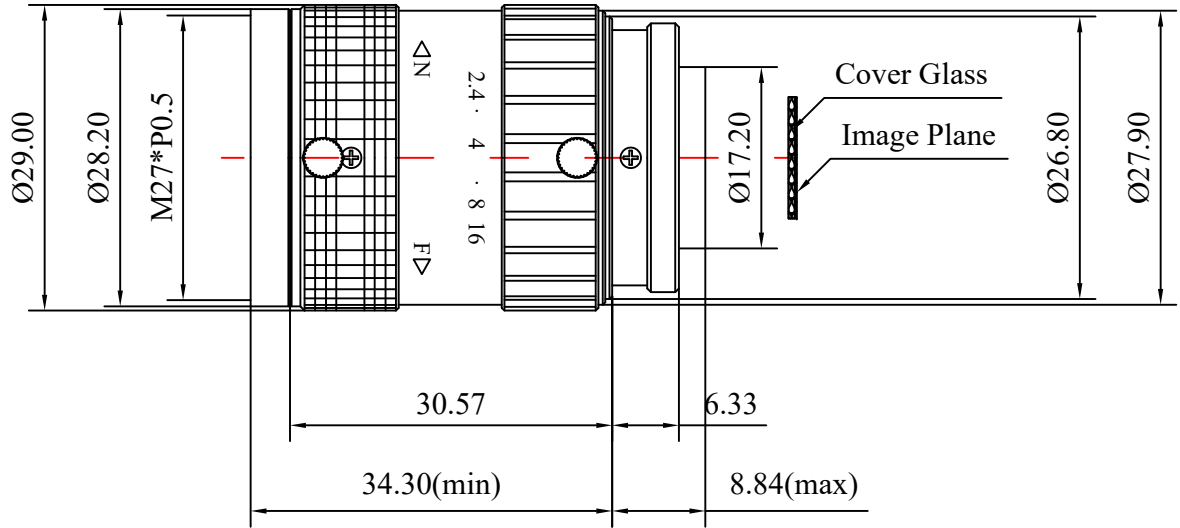
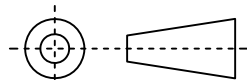


EFL		25mm	
F/No.		F2.4-16	
Resolution		12MP	
For Sensor		1/1.7" (7.4x5.6mm)	1/2" (6.4x4.8mm)
		1/3" (4.8x3.6mm)	
F.O.V	H	16.8°	14.6°
	V	12.8°	11.0°
	D	21.2°	18.3°
Object Dimension at 200mm	H	54.8mm	47.4mm
	V	41.5mm	35.6mm
	D	69.1mm	59.3mm
TV Distortion		<0.1%	< -0.1%
M.O.D		0.1m~∞	
FFL		17.526mm	
BFL		12.05mm	
Filter Size		M27*P0.5	
Front/ Rear Effective Dia		Ø14.8mm/Ø10.8mm	
Mount Type		C-Mount	
Operating Temperature		-20°C~+85°C	
Storage Temperature		-20°C~+85°C	
Working Distance(mm)	Optical Magnification	1/1.7" F.O.V (mm)	
5000	0.005X	1480.0	1120.0
2000	0.013X	569.2	430.8
1000	0.025X	296.0	224.0
900	0.028X	264.3	200.0
800	0.032X	231.3	175.0
700	0.036X	205.6	155.6
600	0.043X	172.1	130.2
550	0.047X	157.4	119.1
500	0.051X	145.1	109.8
450	0.057X	129.8	98.2
400	0.065X	113.8	86.2
350	0.074X	100	75.7
300	0.088X	84.1	63.6
250	0.106X	69.8	52.8
200	0.135X	54.8	41.5
150	0.184X	40.2	30.4
100	0.288X	25.7	19.4



Scale	Remark	Tolerances	Date	Revised		福州创安光电科技有限公司 FUZHOU CHUANGAN OPTICS CO., LTD
	X	±0.2	2024-04-07	CH674A Rev1.0		
4:1	X.0	±0.15				 3D Angle Projection
	X.00	±0.10	Design	Linda	2024-01-02	
Units	X.000	±0.001	Checked	Anna	2024-02-01	
	Angle	±0.5°	Approval	Sanmu	2024-03-18	