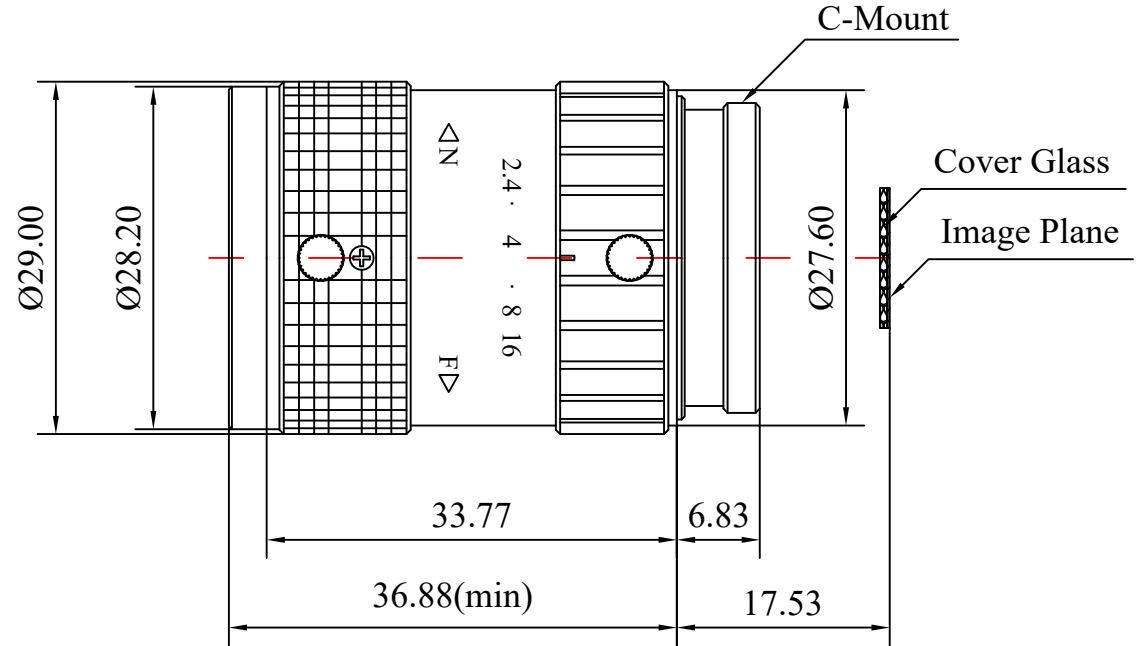
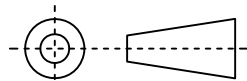


| | | | |
|---------------------------|---------------------|-----------------------|---------------------|
| EFL | | 16mm | |
| F/No. | | F2.4-16 | |
| Resolution | | 12MP | |
| For Sensor | | 1/1.7" (7.4x5.6mm) | 1/2" (6.4x4.8mm) |
| | | 1/3" (4.8x3.6mm) | |
| F.O.V | H | 25.43° | 22.10° |
| | V | 19.39° | 16.66° |
| | D | 31.43° | 27.35° |
| Object Dimension at 200mm | H | 96.5mm | 83.4mm |
| | V | 73.0mm | 62.6mm |
| | D | 121.3mm | 104.3mm |
| TV Distortion | | <0.1% | < -0.1% |
| M.O.D | | 0.1m~∞ | |
| FFL | | 17.526mm | |
| BFL | | 13.0mm | |
| Filter Size | | M27*P0.5 | |
| Front/ Rear Effective Dia | | Ø14.8mm/Ø10.8mm | |
| Mount Type | | C-Mount | |
| Operating Temperature | | -20°C~+85°C | |
| Storage Temperature | | -20°C~+85°C | |
| Working Distance(mm) | Optical Magnificati | 1/1.7" F.O.V (mm) | |
| 5000 | 0.003X | 2330.1 | 1763.3 |
| 2000 | 0.008X | 933.9 | 706.8 |
| 1000 | 0.016X | 468.6 | 354.6 |
| 900 | 0.018X | 422.0 | 319.4 |
| 800 | 0.020X | 375.5 | 284.2 |
| 700 | 0.022X | 329.0 | 248.9 |
| 600 | 0.026X | 282.4 | 213.7 |
| 550 | 0.029X | 259.1 | 196.1 |
| 500 | 0.031X | 235.9 | 178.5 |
| 450 | 0.035X | 212.7 | 160.9 |
| 400 | 0.039X | 189.4 | 143.3 |
| 350 | 0.045X | 166.2 | 125.7 |
| 300 | 0.052X | 142.9 | 108.2 |
| 250 | 0.062X | 119.7 | 90.6 |
| 200 | 0.077X | 96.5 | 73.0 |
| 150 | 0.101X | 73.3 | 55.5 |
| 100 | 0.147X | 50.3 | 38.1 |



Remark: Weight 59g

| | | | | | | |
|-------|--------|------------|------------|---------------|------------|--|
| Scale | Remark | Tolerances | Date | Revised | | 福州创安光电科技有限公司 FUZHOU CHUANGAN OPTICS CO., LTD |
| | X | ±0.2 | 2024-04-07 | CH673A Rev1.0 | | |
| 4:1 | X.0 | ±0.15 | | | |  3D Angle Projection |
| | X.00 | ±0.10 | Design | Linda | 2024-01-02 | |
| Units | X.000 | ±0.001 | Checked | Anna | 2024-02-01 | |
| | Angle | ±0.5° | Approval | Sanmu | 2024-03-18 | |