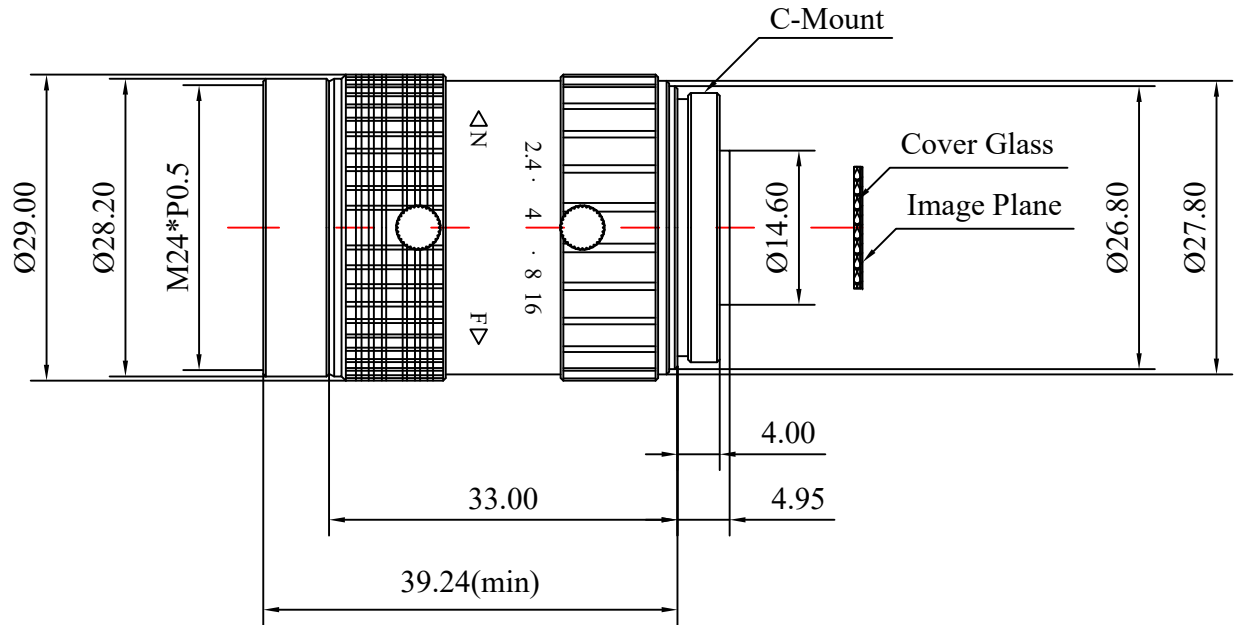
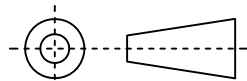


EFL		12mm	
F/No.		F2.4-16	
Resolution		12MP	
For Sensor		1/1.7" (7.4x5.6mm)	1/2" (6.4x4.8mm)
1/3" (4.8x3.6mm)			
F.O.V	H	35.10°	30.60°
	V	26.92°	23.20°
	D	43.28°	37.74°
Object Dimension at 200mm	H	137.0mm	118.5mm
	V	103.7mm	88.9mm
	D	172.8mm	148.1mm
TV Distortion		<1.1%	< -0.05%
M.O.D		0.12m-∞	
FFL		17.526mm	
BFL		13.9mm	
Filter Size		M27*P0.5	
Front/ Rear Effective Dia		Ø18.3mm/Ø9.2mm	
Mount Type		C-Mount	
Operating Temperature		-20°C~+85°C	
Storage Temperature		-20°C~+85°C	
Working Distance(mm)	Optical Magnificati	1/1.7" F.O.V (mm)	
5000	0.002X	3700	2800
2000	0.006X	1233.3	933.3
1000	0.011X	672.	509.1
900	0.013X	569.2	430.8
800	0.015X	493.3	373.3
700	0.017X	435.3	329.4
600	0.019X	389.5	294.7
550	0.021X	352.4	266.7
500	0.023X	321.7	243.5
450	0.026X	284.6	215.4
400	0.029X	255.2	193.1
350	0.033X	224.2	169.7
300	0.038X	194.7	147.4
250	0.045X	164.4	124.4
200	0.054X	137.0	103.7
150	0.07X	105.7	80.0
100	0.085X	87.1	65.9



Scale	Remark	Tolerances	Date	Revised		福州创安光电科技有限公司 FUZHOU CHUANGAN OPTICS CO., LTD
	4:1	X	±0.2	2024-04-07	CH672A Rev1.0	
Units	X.0	±0.15				 3D Angle Projection
	X.00	±0.10	Design	Linda	2024-01-02	
mm	X.000	±0.001	Checked	Anna	2024-02-01	
	Angle	±0.5°	Approval	Sanmu	2024-03-18	