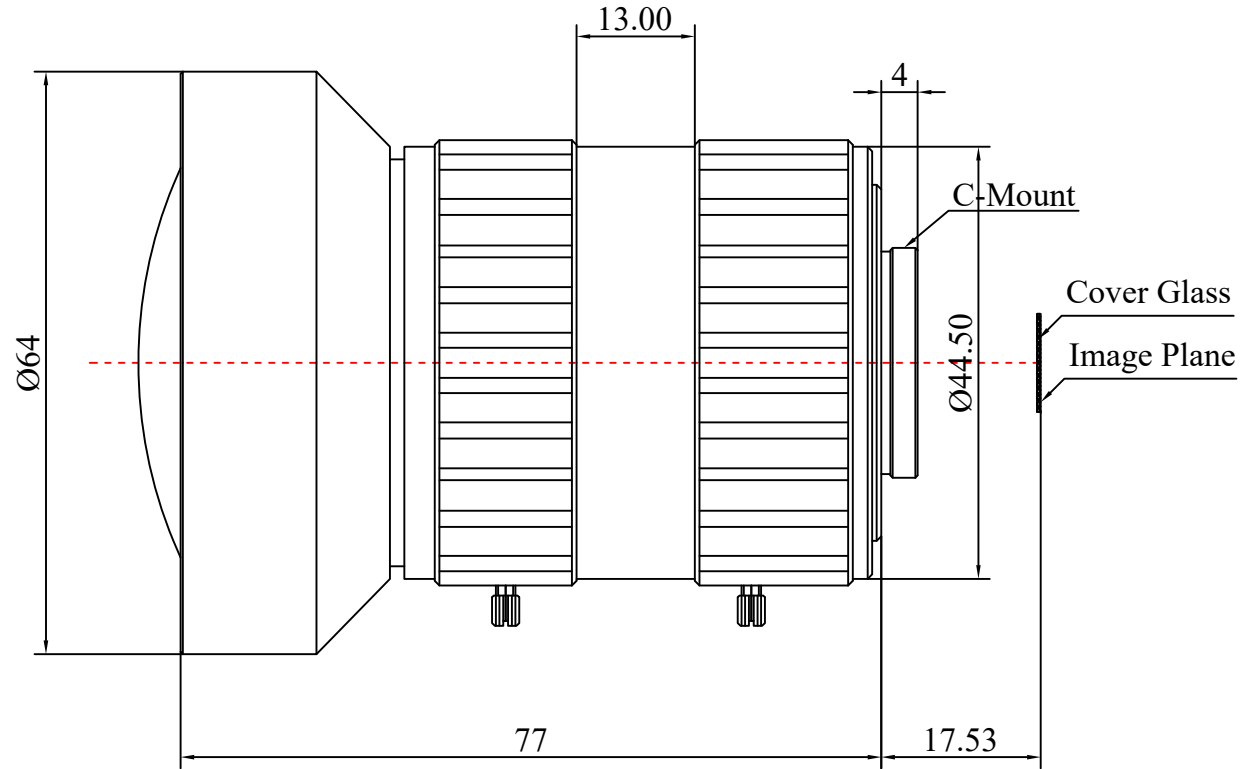
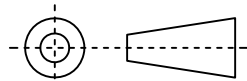


1	Type	Machine vision Lens			
2	EFL	12mm			
3	F.NO	F2.0~16			
4	Resolution	20MP			
5	Image Format	4/3"			
6	BFL (M)	17.53			
7	For Sensor	4/3"	1"	2/3"	
8	F.O.V	Horizontal	56.3°	54.8°	38.9°
9		Vertical	43.5°	42.3°	29.6°
10		Diagonal	67.5°	66.1°	47.8°
11	TV Distortion	<-1.6%	<-1.3%	<-1%	
12	M.O.D	0.2m			
13	Mount Type	C/CS			
14	Dimension Figure	φ64.0*L77.0			
15	Filter Size	M72*0.75(需加转接圈)			
16	Weight	305g			
17	Iris Operation	Manual			
18	Zoom Operation	Fixed			
19	Focus Operation	Manual			
20	Operating Temperature	-20° +85°			
21	Storage Temperature	-20° +85°			



Scale	Remark	Tolerances	Date	Revised		福州创安光电科技有限公司 FUZHOU CHUANGAN OPTICS CO., LTD
1.5 : 1	X	±0.2	2021-01-15	CH609A Rev1.0		
	X.0	±0.15				
Units	X.00	±0.10	Design	Linda	2016-02-10	 3D Angle Projection
	X.000	±0.001	Checked	Anna	2016-05-07	
mm	Angle	±0.5°	Approval	Sanmu	2016-05-28	