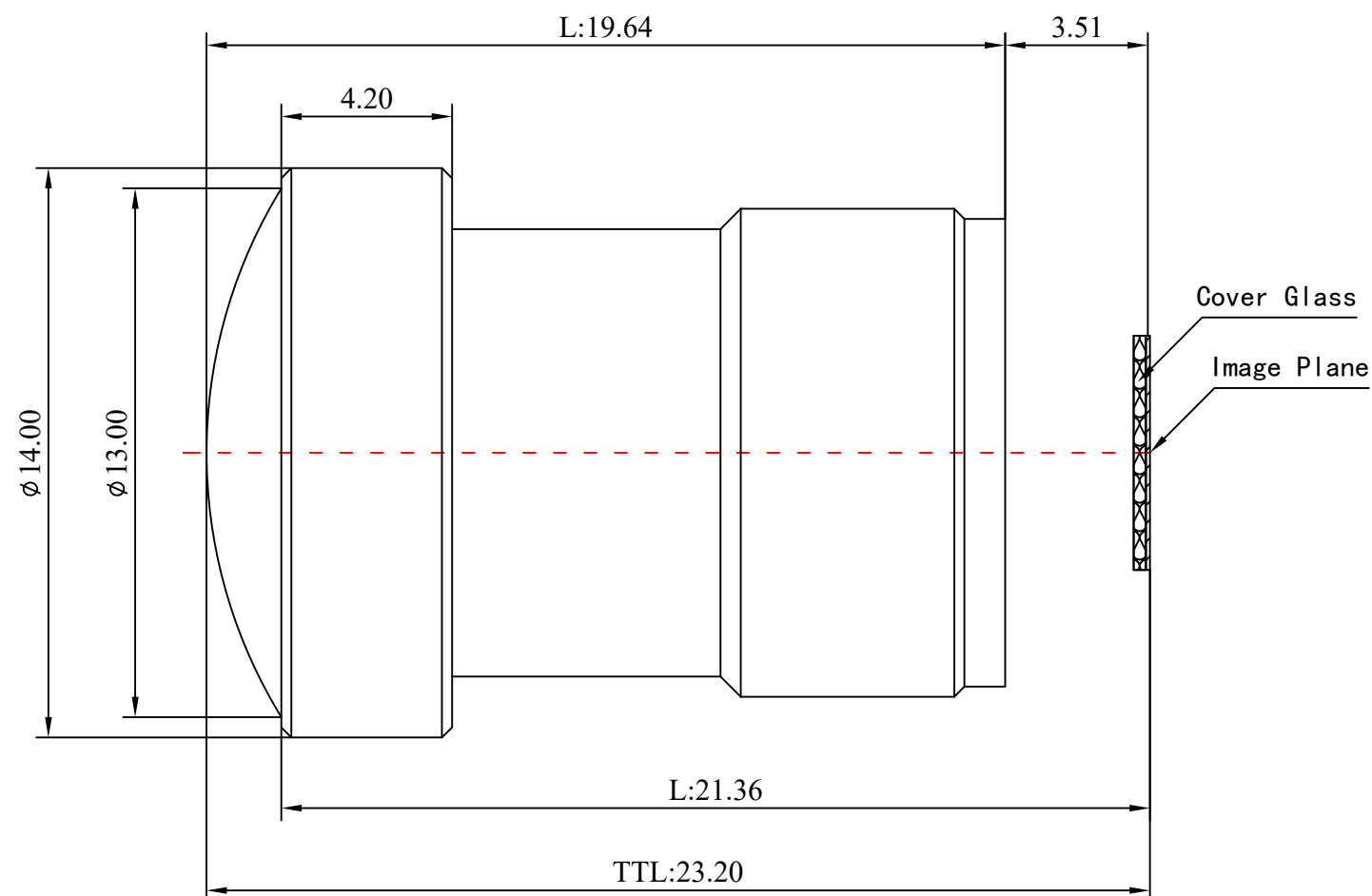
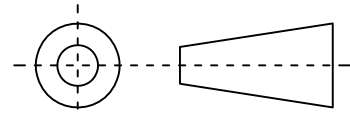


1	Type	Wide Angle Lens		
2	Resolution	MP		
3	Image Format	1/2.8"		
4	Image Circle	φ6.2mm(MAX)		
5	EFL	2.53mm		
6	TTL	23.20mm		
7	F/NO.	1.8		
8	FFL (M)	3.51mm		
9	BFL (O)	5.52mm		
10	For Sensor	OV4689	ISX-017	
11	F.O.V	Horizontal	143°	117°
12		Vertical	77.2°	84.5°
13		Diagonal	173°	152.4°
14	TV Distortion	<-12%	<-11.4%	
15	Relative Ill.	>70%	>50%	
16	Chief Ray Angle	<10°	<10%	
17	M.O.D	0.1m~∞		
18	Mount Type	M12*P0.5		
19	Dimension Figure	φ14.00*L19.64mm		
20	Lens Structure	7G		
21	IR-Filter	T=50% & 650±10nm		
22	Waterproof	No		
23	Weight	4.62g		
24	Iris Operation	Fixed		
25	Zoom Operation	Fixed		
26	Focus Operation	Manual		
27	Operating Temperature	-20° ~+85°		
28	Storage Temperature	-20° ~+85°		



Scale	Remark	Tolerances	Date	Revised		福州创安光电科技有限公司 FUZHOU CHUANGAN OPTICS CO., LTD
4:1	X	±0.2	2019-07-05	CH385A Rev1.0		
	X.0	±0.15				
Units	X.00	±0.10	Design	Linda	2018-03-15	 3D Angle Projection
	X.000	±0.001	Checked	Anna	2018-05-28	
mm	Angle	±0.5°	Approval	Sanmu	2018-05-29	