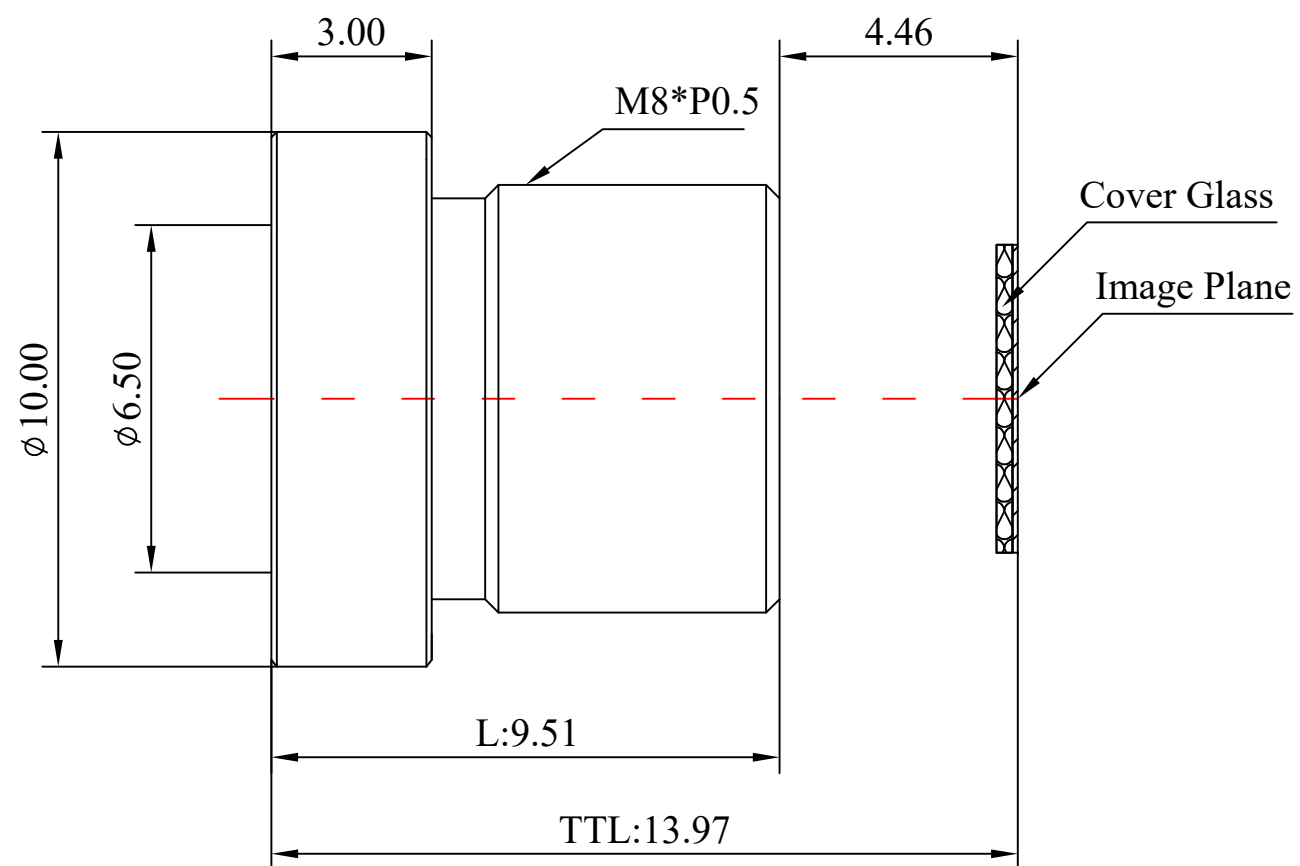
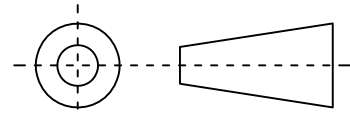


1	Type	Wide Angle Lens	
2	Resolution	MP	
3	Image Format	1/2.5"	
4	Image Circle	φ7.2mm(MAX)	
5	EFL	3.6mm	
6	TTL	13.97mm	
7	F/NO.	2.8	
8	FFL (M)	4.46mm	
9	BFL (O)	5.96mm	
10	For Sensor	1/2.5"	
11	F.O.V	Horizontal	105°
12		Vertical	70°
13		Diagonal	128°
14	TV Distortion	<-9%	
15	Relative Ill.	>60%	
16	Chief Ray Angle	<12.5°	
17	M.O.D	0.1m~∞	
18	Mount Type	M8*P0.5	
19	Dimension Figure	φ10.00*L9.51mm	
20	Lens Structure	5G	
21	IR-Filter	IR850nm/BN	
22	Waterproof	No	
23	Weight	1.6g	
24	Iris Operation	Fixed	
25	Zoom Operation	Fixed	
26	Focus Operation	Manual	
27	Operating Temperature	-20° ~+85°	
28	Storage Temperature	-20° ~+85°	



Scale	Remark	Tolerances	Date	Revised		福州创安光电科技有限公司 FUZHOU CHUANGAN OPTICS CO., LTD
5 : 1	X	±0.2	2019-07-02	CH377A Rev1.0		
	X.0	±0.15				
Units	X.00	±0.10	Design	Linda	2016-11-28	 3D Angle Projection
	X.000	±0.001	Checked	Anna	2017-02-11	
mm	Angle	±0.5°	Approval	Sanmu	2017-02-11	