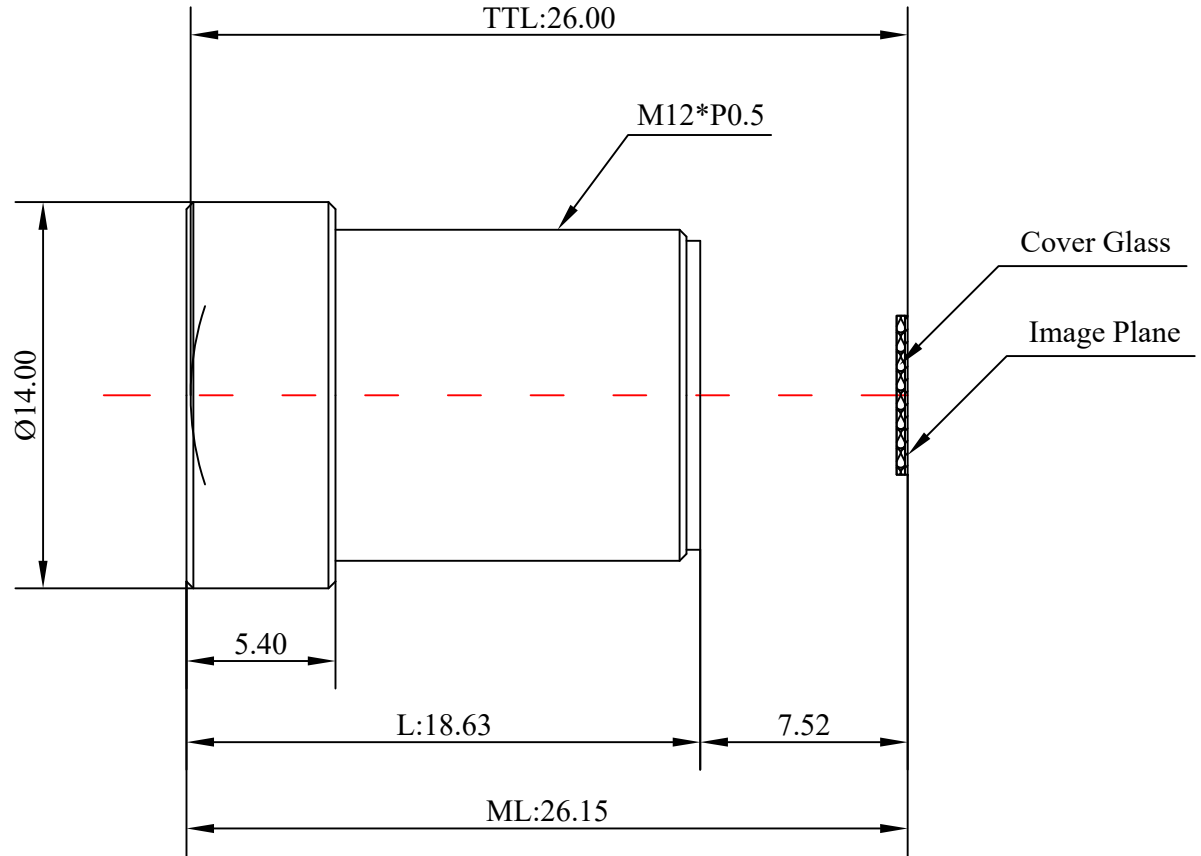
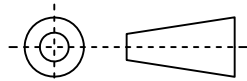


1	Type	Low Distortion Lens			
2	Resolution	16MP			
3	Image Format	1/1.8"			
4	Image Circle	φ9.2mm(MAX)			
5	EFL	12mm			
6	TTL	26.00mm			
7	F/NO.	2.8			
8	FFL (M)	7.52mm			
9	BFL (O)	9.86mm			
10	For Sensor	1/1.8"	1/2.3"	1/2.8"	
11	F.O.V	Horizontal	35°	28.8°	26.1°
12		Vertical	20.4°	21.6°	14.8°
13		Diagonal	40°	35.4°	29.6°
14	OPT Distortion	<-0.01%			
15	Relative Ill.	>80%			
16	Chief Ray Angle	<14°			
17	M.O.D	0.1m~∞			
18	Mount Type	M12*P0.5			
19	Dimension Figure	φ14.00*L18.63mm			
20	Lens Structure	6G			
21	IR-Filter	IR650nm			
22	Waterproof	No			
23	Weight	/			
24	Iris Operation	Fixed			
25	Zoom Operation	Fixed			
26	Focus Operation	Manual			
27	Operating Temperature	-45° ~+85°			
28	Storage Temperature	-45° ~+85°			



Scale	Remark	Tolerances	Date	Revised		福州创安光电科技有限公司 FUZHOU CHUANGAN OPTICS CO., LTD
4:1	X	±0.2	2024-12-06	CH3773AB Rev1.0		
Units	X.00	±0.10	Design	Linda	2024-11-13	 3D Angle Projection
	X.000	±0.001	Checked	Anna	2024-11-26	
mm	Angle	±0.5°	Approval	Sanmu	2022-12-05	