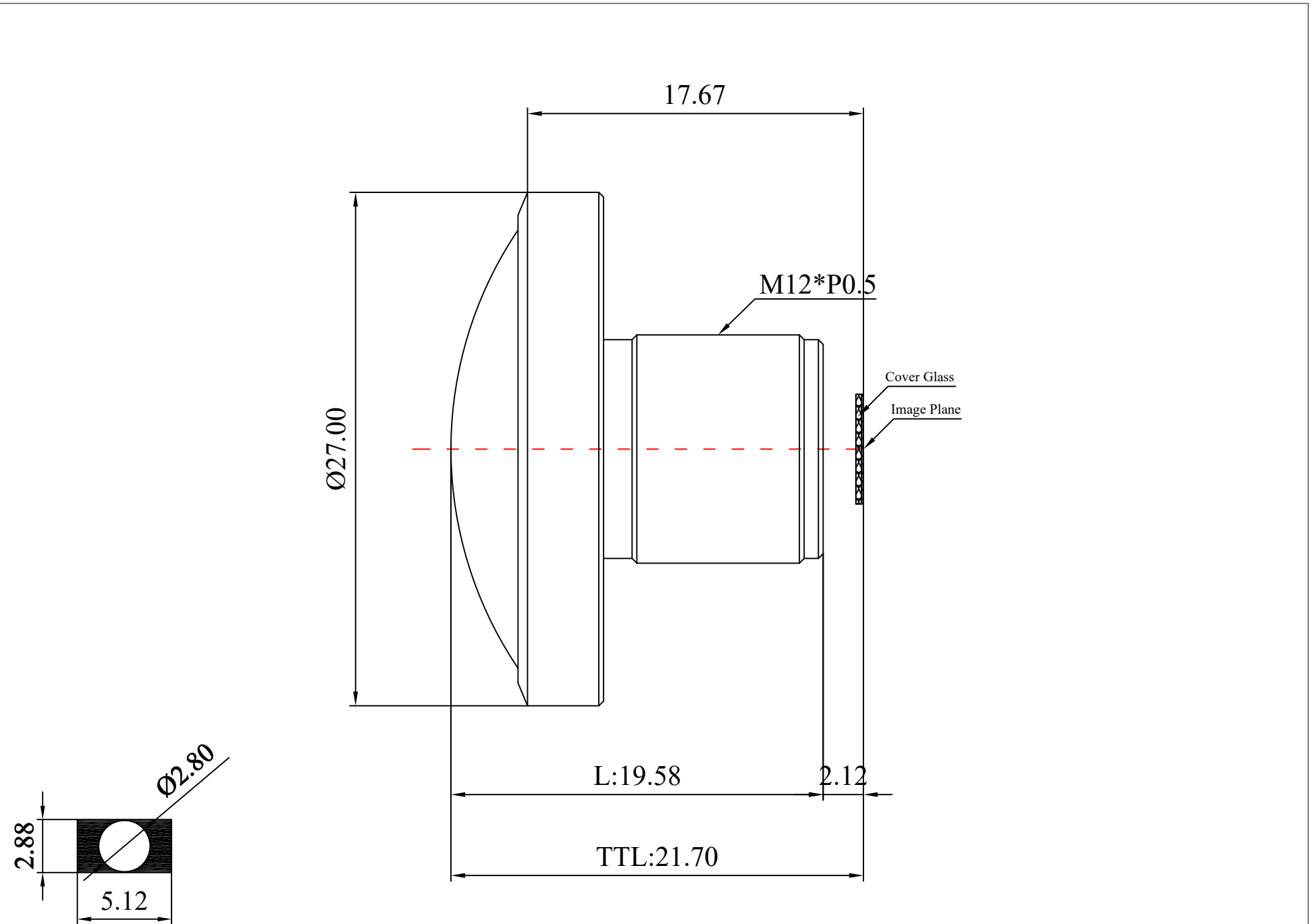
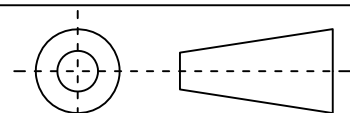


1	Type	Fisheye lens	
2	Resolution	5MP	
3	Image Format	1/2.7"&1/3"	
4	Image Circle	φ2.8mm(MAX)	
5	EFL	1.05mm	
6	TTL	21.7mm	
7	F/NO.	F2.2	
8	FFL (M)	2.12mm	
9	BFL (O)	3.01mm	
10	For Sensor	Ø2.8mm	
11	F.O.V	Horizontal	210°
12		Vertical	210°
13		Diagonal	210°
14	OPT Distortion	<-134%	
15	Relative Ill.	>93%	
16	Chief Ray Angle	<17.0°	
17	M.O.D	0.1m~∞	
18	Mount Type	M12*P0.5	
19	Dimension Figure	φ27.0*L19.58mm	
20	Lens Structure	6G	
21	IR-Filter	Non-IR	
22	Weight	13.7g	
23	Iris Operation	Fixed	
24	Zoom Operation	Fixed	
25	Focus Operation	Manual	
26	Operating Temperature	-20° ~+85°	
27	Storage Temperature	-20° ~+85°	



Scale	Remark	Tolerances	Date	Revised	
4: 1	X	± 0.2	2021-04-19	CH3744A Rev1.0	
	X.0	± 0.15			
Units	X.00	± 0.10	Design	Linda	2021-02-19
	X.000	± 0.001	Checked	Anna	2021-03-12
mm	Angle	± 0.5°	Approval	Sanmu	2021-03-17

福州创安光电科技有限公司
FUZHOU CHUANGAN OPTICS CO., LTD



3D Angle Projection