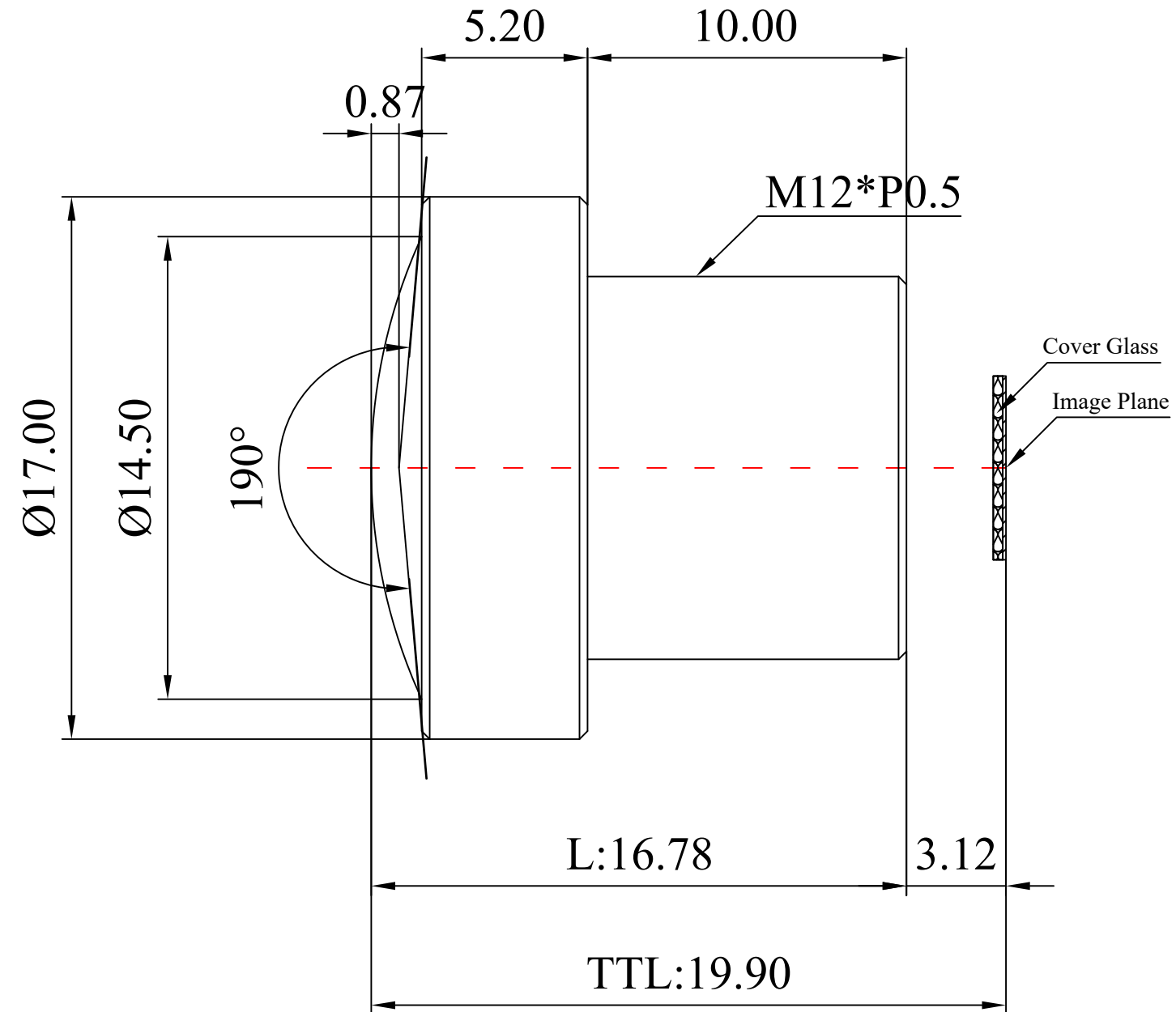
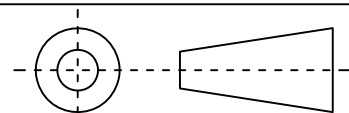


1	Type	Fisheye Lens	
2	Resolution	8.8MP	
3	Image Format	1/2.3"	
4	Image Circle	φ4.6mm(MAX)	
5	EFL	1.57mm	
6	TTL	19.9mm	
7	F/NO.	F2.4	
8	FFL (M)	3.12mm	
9	BFL (O)	4.60mm	
10	For Sensor	1/2.3"	
11	F.O.V	Horizontal	190°
12		Vertical	190°
13		Diagonal	190°
14	OPT Distortion	<-102%	
15	Relative Ill.	>85%	
16	Chief Ray Angle	<17.0°	
17	M.O.D	0.1m~∞	
18	Mount Type	M12*P0.5	
19	Dimension Figure	φ17.0*L16.8mm	
20	Lens Structure	7G	
21	IR-Filter	T=50%&IR650±10nm	
22	Weight	6.9g	
23	Iris Operation	Fixed	
24	Zoom Operation	Fixed	
25	Focus Operation	Manual	
26	Operating Temperature	-20° ~+85°	
27	Storage Temperature	-20° ~+85°	



Scale	Remark	Tolerances	Date	Revised		福州创安光电科技有限公司 FUZHOU CHUANGAN OPTICS CO., LTD
4: 1	X	± 0.2	2021-04-26	CH3743A Rev1.1		
	X.0	± 0.15				
Units	X.00	± 0.10	Design	Linda	2021-02-19	 3D Angle Projection
	X.000	± 0.001	Checked	Anna	2021-03-12	
mm	Angle	± 0.5°	Approval	Sanmu	2021-03-17	