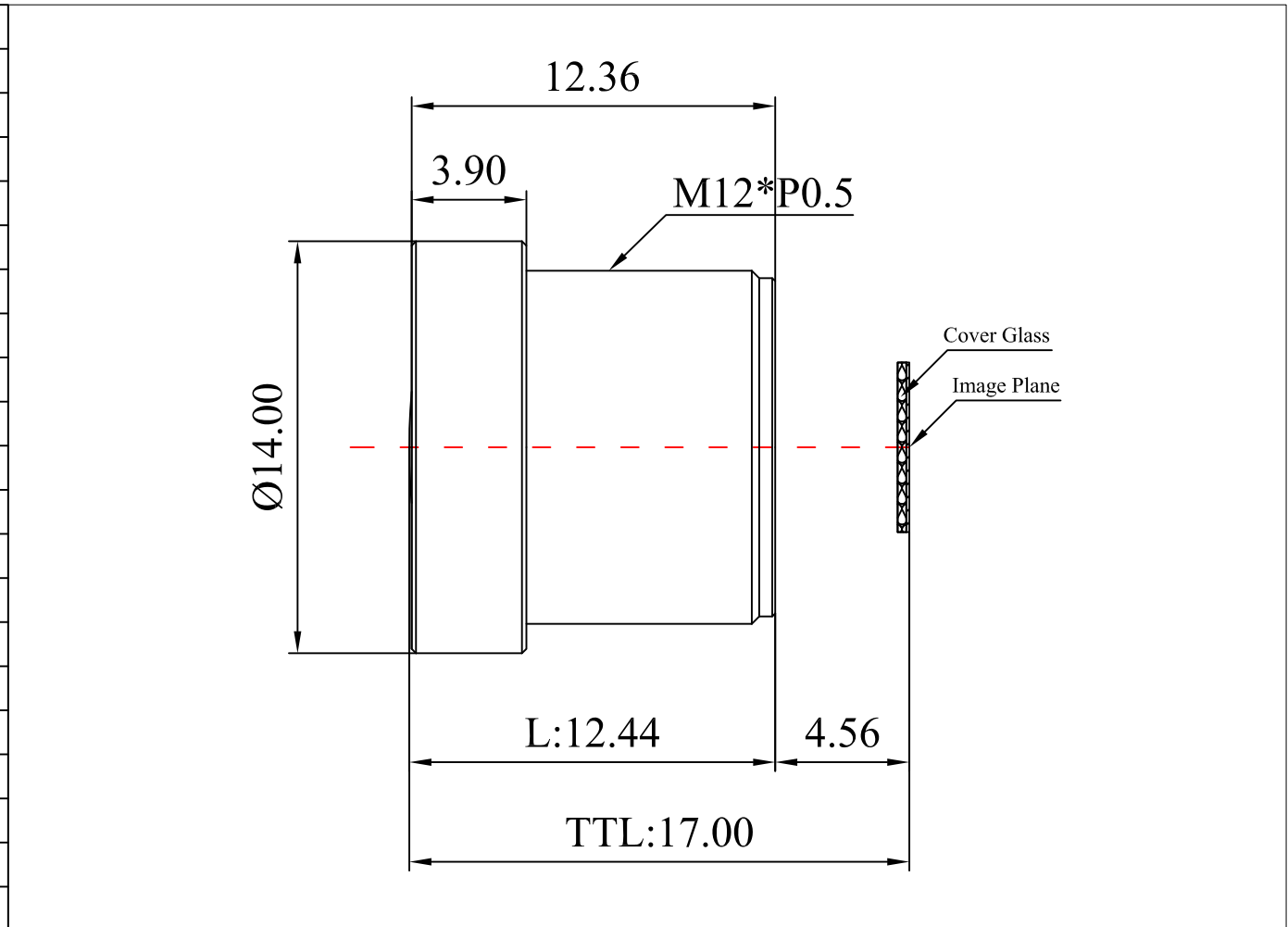


| | | | |
|----|-----------------------|-----------------|-------|
| 1 | Type | Wide Angle Lens | |
| 2 | Resolution | 5MP | |
| 3 | Image Format | 1/2.7" | |
| 4 | Image Circle | φ6.8mm(V-MAX) | |
| 5 | EFL | 3.0mm | |
| 6 | TTL | 17.0mm | |
| 7 | F/NO. | F2.0 | |
| 8 | FFL (M) | 4.56mm | |
| 9 | BFL (O) | 5.67mm | |
| 10 | For Sensor | 1/2.7" | |
| 11 | F.O.V | Horizontal | 120° |
| 12 | | Vertical | 62.4° |
| 13 | | Diagonal | 146° |
| 14 | TV Distortion | <-26.33% | |
| 15 | Relative Ill. | >65% | |
| 16 | Chief Ray Angle | <17.0° | |
| 17 | M.O.D | 0.1m~∞ | |
| 18 | Mount Type | M12*P0.5 | |
| 19 | Dimension Figure | φ14.0*L12.44mm | |
| 20 | Lens Structure | 5G | |
| 21 | IR-Filter | Non-IR | |
| 22 | Weight | 4.1g | |
| 23 | Iris Operation | Fixed | |
| 24 | Zoom Operation | Fixed | |
| 25 | Focus Operation | Manual | |
| 26 | Operating Temperature | -20° ~+85° | |
| 27 | Storage Temperature | -20° ~+85° | |



| Scale | Remark | Tolerances | Date | Revised | | 福州创安光电科技有限公司 FUZHOU CHUANGAN OPTICS CO., LTD |
|-------|--------|------------|------------|----------------|------------|---|
| 4: 1 | X | ± 0.2 | 2021-03-22 | CH3742A Rev1.0 | | |
| | X.0 | ± 0.15 | | | | |
| Units | X.00 | ± 0.10 | Design | Linda | 2021-01-19 | |
| | X.000 | ± 0.001 | Checked | Anna | 2021-02-12 | |
| mm | Angle | ± 0.5° | Approval | Sanmu | 2021-03-17 | |

