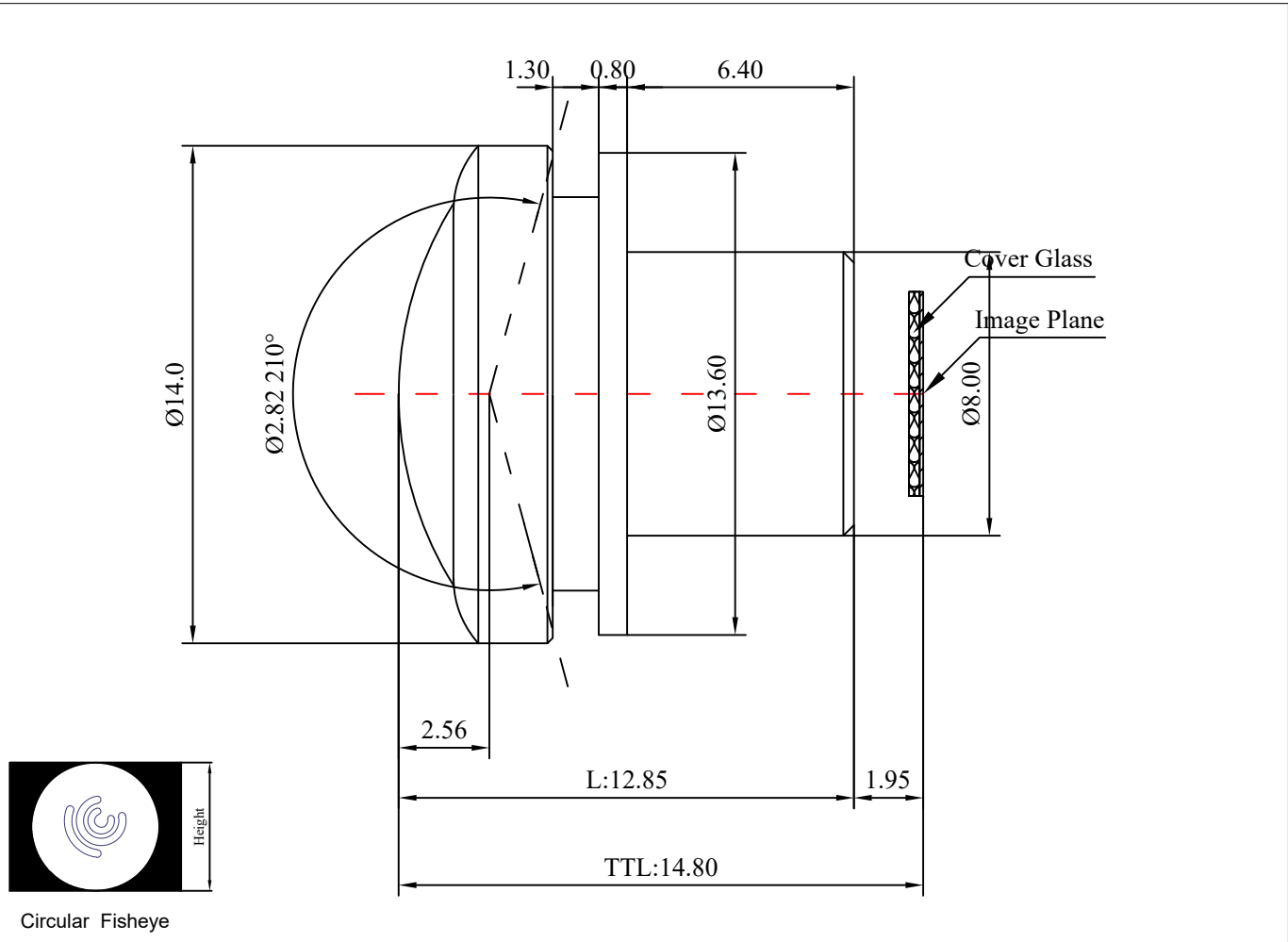


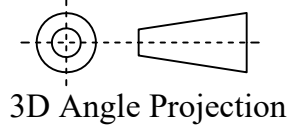
1	Type	Fisheye Lens			
2	Resolution	5MP			
3	Image Format	1/2.9"			
4	Image Circle	φ2.82mm(V-MAX)			
5	EFL	0.97mm			
6	TTL	14.8mm			
7	F/NO.	F2.8			
8	FFL (M)	1.95mm			
9	BFL (O)	2.90mm			
10	For Sensor	Ø2.6	Ø2.7	Ø2.82	
11	F.O.V	Horizontal	192°	207°	210°
12		Vertical	192°	207°	210°
13		Diagonal	192°	207°	210°
14	OPT Distortion	H:<-117%	H:<-136%	H:<-156%	
15	Relative Ill.	>98%			
16	Chief Ray Angle	<12.6°			
17	M.O.D	0.1m~∞			
18	Mount Type	Ø8.0 AA			
19	Dimension Figure	φ14.0*L12.85mm			
20	Lens Structure	6G			
21	IR-Filter	T=50%&IR650±10nm			
22	Weight	3.0g			
23	Iris Operation	Fixed			
24	Zoom Operation	Fixed			
25	Focus Operation	Manual			
26	Operating Temperature	-20° ~+85°			
27	Storage Temperature	-20° ~+85°			



Circular Fisheye

Scale	Remark	Tolerances	Date	Revised	
4: 1	X	± 0.2	2021-03-16	CH3741CB Rev1.0	
	X.0	± 0.15			
Units	X.00	± 0.10	Design	Linda	2021-01-19
	X.000	± 0.001	Checked	Anna	2021-02-12
mm	Angle	± 0.5°	Approval	Sanmu	2021-03-10

福州创安光电科技有限公司  
 FUZHOU CHUANGAN OPTICS CO., LTD



3D Angle Projection