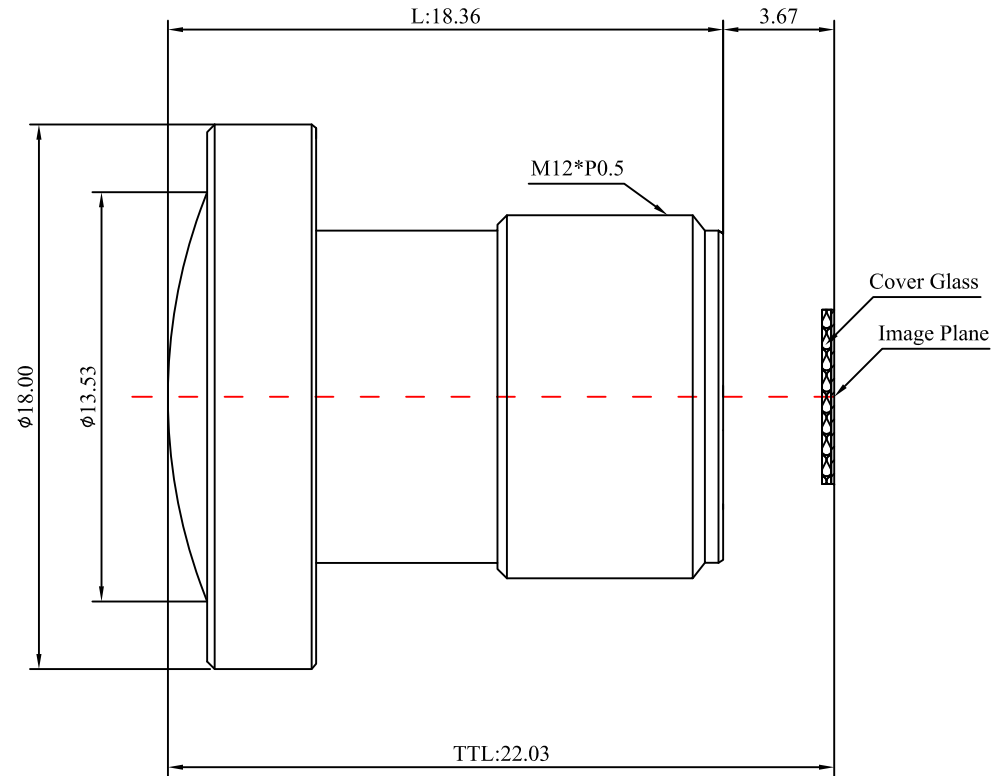
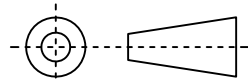


1	Type	Wide Angle Lens		
2	Resolution	8MP		
3	Image Format	1/2.8" & 1/3"		
4	Image Circle	φ6.45mm(MAX)		
5	EFL	1.85mm		
6	TTL	22.03mm		
7	F/NO.	2.0		
8	FFL (M)	3.67mm		
9	BFL (O)	5.89mm		
10	For Sensor	IMX315	OV4689	
11	F.O.V	Horizontal	143°	145°
12		Vertical	85°	77.2°
13		Diagonal	171°	175°
14	TV Distortion	<13.5%	<-12%	
15	Relative Ill.	>77%	>70%	
16	Chief Ray Angle	<10°	<10°	
17	M.O.D	0.1m~∞		
18	Mount Type	M12*P0.5		
19	Dimension Figure	φ18.00*L18.36mm		
20	Lens Structure	7G		
21	IR-Filter	IR650nm/Blue Glass		
22	Waterproof	IP67		
23	Weight	6g		
24	Iris Operation	Fixed		
25	Zoom Operation	Fixed		
26	Focus Operation	Manual		
27	Operating Temperature	-20° ~+85°		
28	Storage Temperature	-20° ~+85°		



Scale	Remark	Tolerances	Date	Revised	
4:1	X	±0.2	2019-09-26	CH372G Rev1.1	
	X.0	±0.15			
Units	X.00	±0.10	Design	Linda	2016-09-19
	X.000	±0.001	Checked	Anna	2016-11-09
mm	Angle	±0.5°	Approval	Sanmu	2016-11-15

福州创安光电科技有限公司
FUZHOU CHUANGAN OPTICS CO., LTD



3D Angle Projection