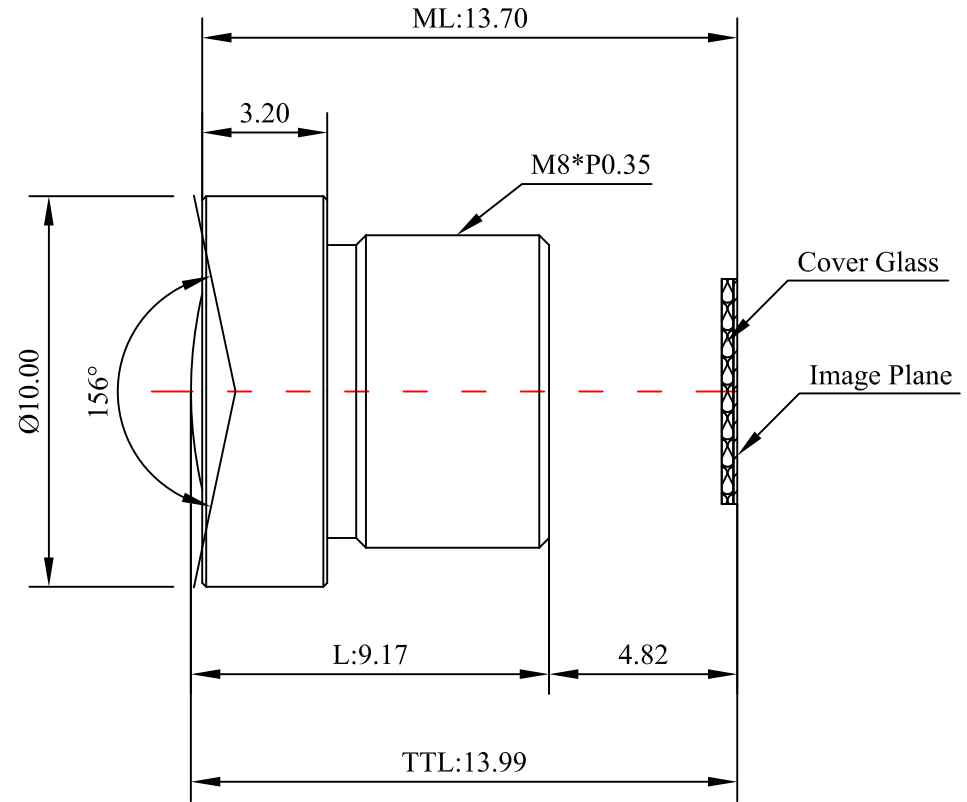
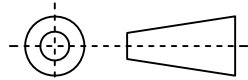


1	Type	Wide Angle Lens			
2	Resolution	5MP			
3	Image Format	1/2.5"			
4	Image Circle	φ7.2mm(MAX)			
5	EFL	3.05mm			
6	TTL	13.99mm			
7	F/NO.	2.0			
8	FFL (M)	4.82mm			
9	BFL (O)	5.72mm			
10	For Sensor	IMX317	IMX307	AR0233AT	
11	F.O.V	Horizontal	129°	104°	126°
12		Vertical	69°	76°	74°
13		Diagonal	156°	136°	158°
14	TV Distortion	<-25%			
15	Relative Ill.	>52%			
16	Chief Ray Angle	<17°			
17	M.O.D	0.1m~∞			
18	Mount Type	M8*P0.35			
19	Dimension Figure	φ10.00*L9.17mm			
20	Lens Structure	6G			
21	IR-Filter	Non-IR			
22	Waterproof	No			
23	Weight	---			
24	Iris Operation	Fixed			
25	Zoom Operation	Fixed			
26	Focus Operation	Manual			
27	Operating Temperature	-20° ~+85°			
28	Storage Temperature	-20° ~+85°			



Scale	Remark	Tolerances	Date	Revised		福州创安光电科技有限公司 FUZHOU CHUANGAN OPTICS CO., LTD
4:1	X	±0.2	2020-11-04	CH3721A Rev1.0		
Units	X.00	±0.10	Design	Linda	2020-03-26	 3D Angle Projection
	X.000	±0.001	Checked	Anna	2020-04-20	
mm	Angle	±0.5°	Approval	Sanmu	2020-05-13	