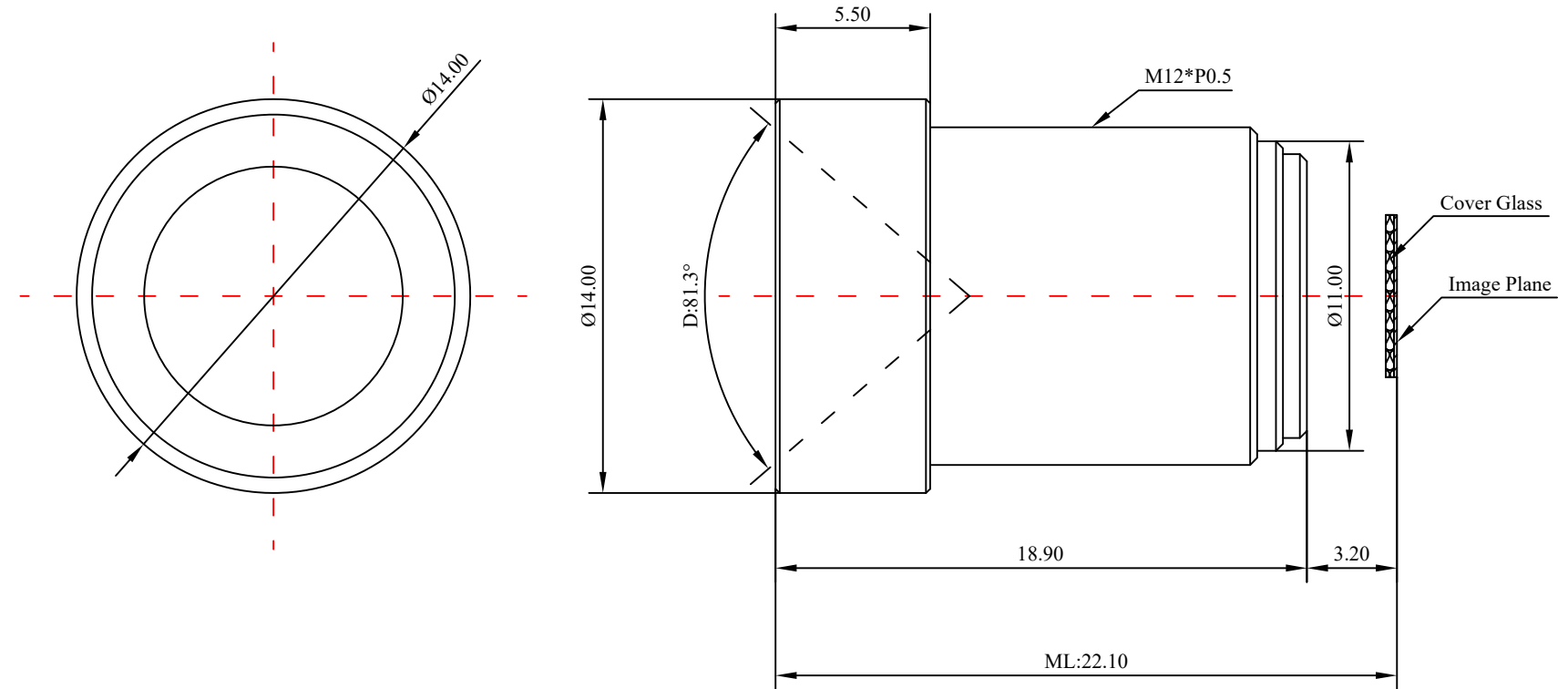


1	Type	Low Distortion Lens	
2	Resolution	5MP	
3	Image Format	1/2.5"	
4	Image Circle	φ6.9mm(MAX)	
5	EFL	4.14mm	
6	ML	22.10mm	
7	F/NO.	4.0	
8	FFL (M)	3.2mm	
9	BFL (O)	3.6mm	
10	For Sensor	1/2.5"	
11	F.O.V	Horizontal	68.9°
12		Vertical	54.5°
13		Diagonal	81.3°
14	TV Distortion	<-0.3%	
15	Relative Ill.	>50%	
16	Chief Ray Angle	<13.8°	
17	M.O.D	0.1m~∞	
18	Mount Type	M12*P0.35	
19	Dimension Figure	φ14.00*L18.90	
20	Lens Structure	3G2P	
21	IR-Filter	Non-IR	
22	Waterproof	No	
23	Weight	---	
24	Iris Operation	Fixed	
25	Zoom Operation	Fixed	
26	Focus Operation	Manual	
27	Operating Temperature	-20° ~+85°	
28	Storage Temperature	-20° ~+85°	



Scale	Remark	Tolerances	Date	Revised		福州创安光电科技有限公司 FUZHOU CHUANGAN OPTICS CO., LTD
4:1	X	±0.2	2020-11-04	CH3718A Rev1.0		
	X.0	±0.15				
Units	X.00	±0.10	Design	Linda	2020-03-26	
	X.000	±0.001	Checked	Anna	2020-04-20	
mm	Angle	±0.5°	Approval	Sanmu	2020-05-13	

