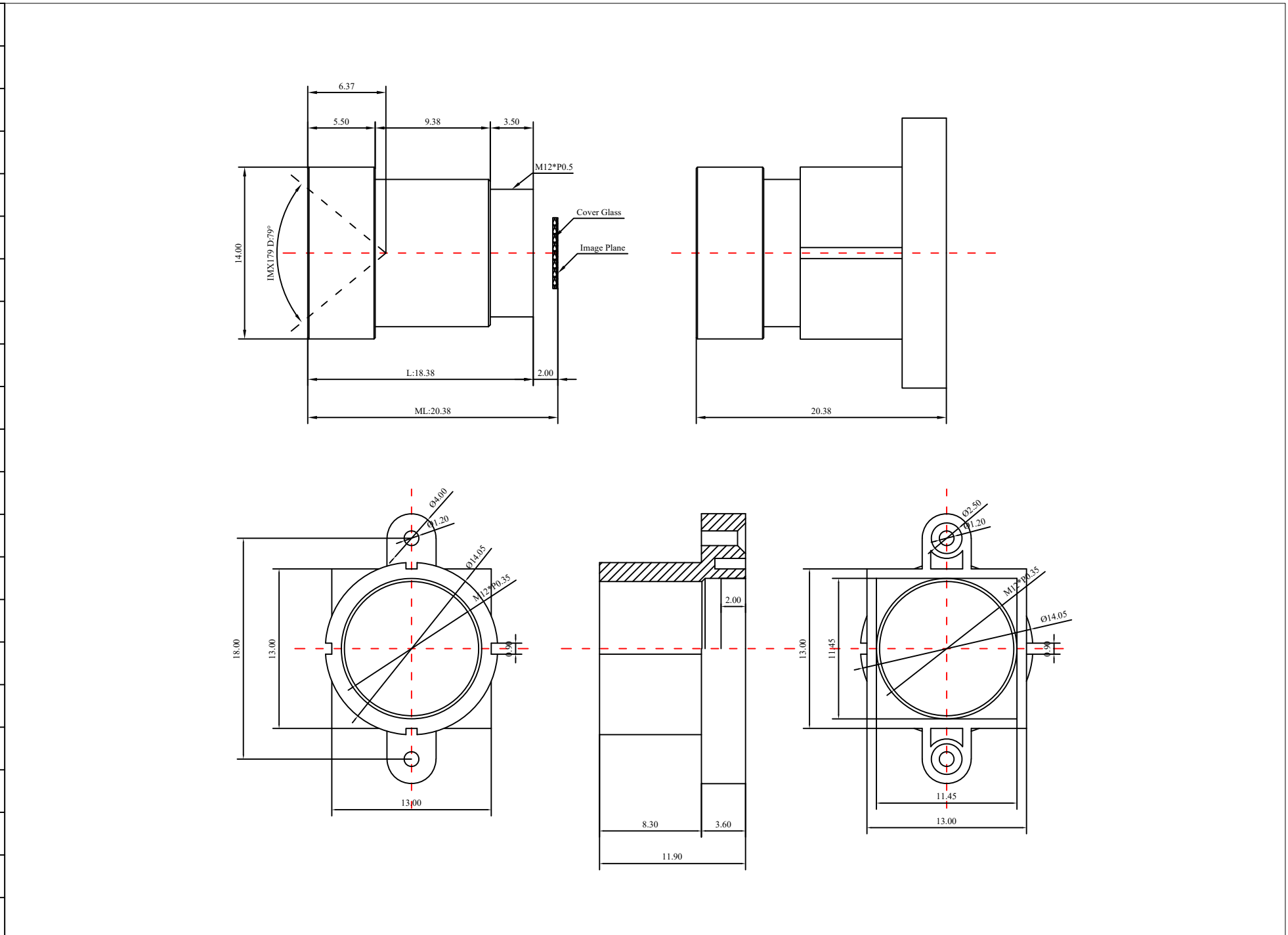


1	Type	Low Distortion Lens	
2	Resolution	8MP	
3	Image Format	1/3.2"	
4	Image Circle	φ6.9mm(MAX)	
5	EFL	2.6mm	
6	ML	20.38mm	
7	F/NO.	3.2	
8	FFL (M)	2.00mm	
9	BFL (O)	2.67mm	
10	For Sensor	IMX179	
11	F.O.V	Horizontal	67°
12		Vertical	52°
13		Diagonal	79°
14	TV Distortion	<-0.5%	
15	Relative Ill.	>50%	
16	Chief Ray Angle	<20°	
17	M.O.D	0.1m~∞	
18	Mount Type	M12*P0.35	
19	Dimension Figure	φ14.00*L18.38mm	
20	Lens Structure	1G3P	
21	IR-Filter	Non-IR	
22	Waterproof	No	



23	Weight	Lens2.7g+Holder0.6g	Scale	Remark	Tolerances	Date	Revised		福州创安光电科技有限公司 FUZHOU CHUANGAN OPTICS CO., LTD
24	Iris Operation	Fixed		4:1	X	±0.2	2020-11-04	CH3717A+CH5211A Rev1.0	
25	Zoom Operation	Fixed	Units		X.0	±0.15			
26	Focus Operation	Manual		mm	X.00	±0.10	Design	Linda	2020-03-26
27	Operating Temperature	-20° ~+85°	X.000		±0.001	Checked	Anna	2020-04-20	
28	Storage Temperature	-20° ~+85°	Angle	±0.5°	Approval	Sanmu	2020-05-13		

