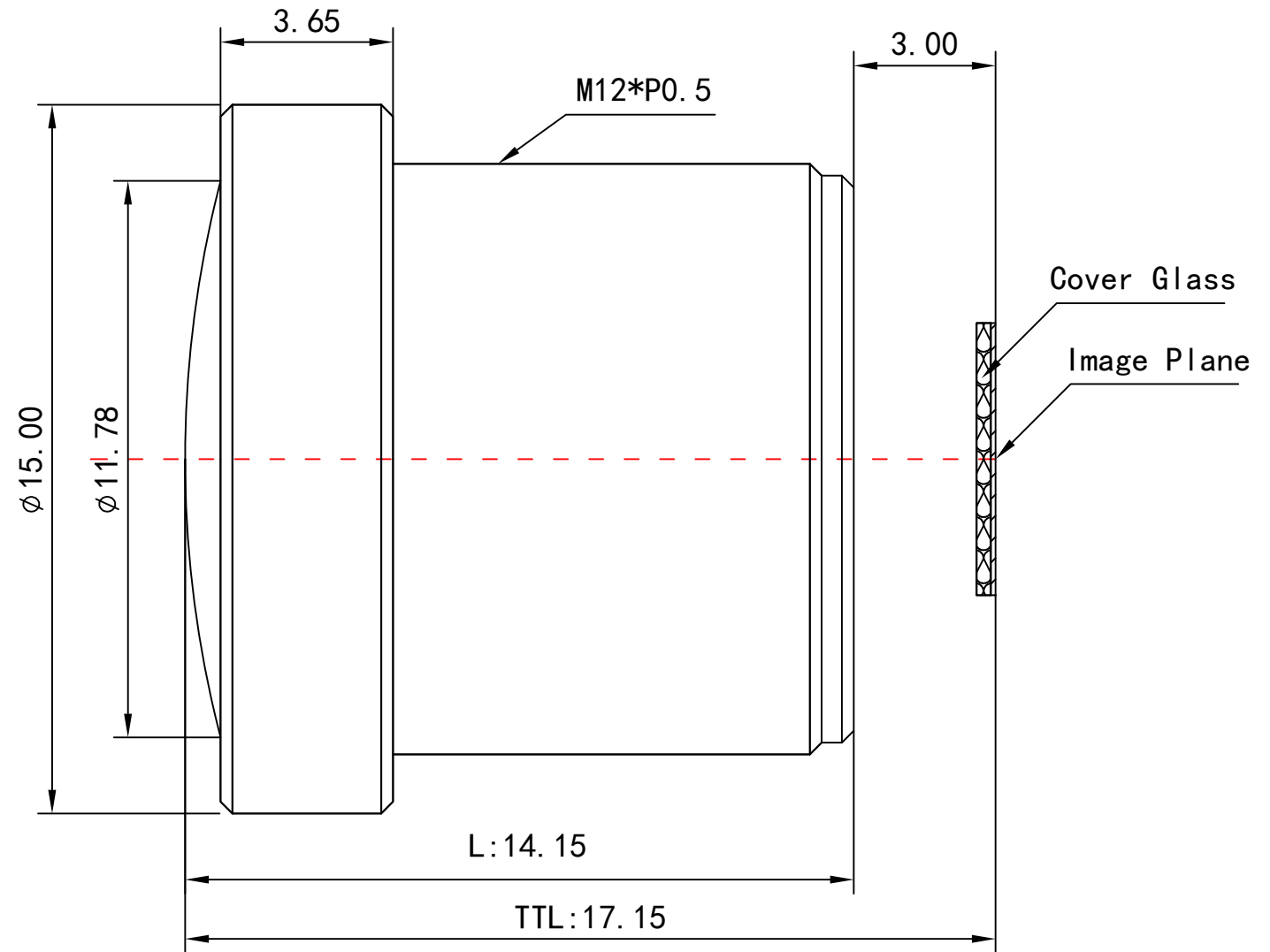
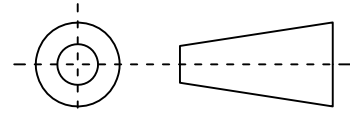


1	Type	Wide Angle Lens		
2	Resolution	MP		
3	Image Format	1/2.7"&1/3"		
4	Image Circle	φ6.7mm(MAX)		
5	EFL	2.4mm		
6	TTL	17.15mm		
7	F/NO.	2.0		
8	FFL (M)	3.0mm		
9	BFL (O)	4.5mm		
10	For Sensor	OV4689	OV2710	
11	F.O.V	Horizontal	135.4°	127.7°
12		Vertical	75°	78.9°
13		Diagonal	160°	157°
14	TV Distortion	<-25%		
15	Relative Ill.	>50%		
16	Chief Ray Angle	<24°		
17	M.O.D	0.1m~∞		
18	Mount Type	M12*P0.5		
19	Dimension Figure	φ15.0*L14.15mm		
20	Lens Structure	6G		
21	IR-Filter	Non-IR		
22	Waterproof	No		
23	Weight	4.9g		
24	Iris Operation	Fixed		
25	Zoom Operation	Fixed		
26	Focus Operation	Manual		
27	Operating Temperature	-20° ~+85°		
28	Storage Temperature	-20° ~+85°		



Scale	Remark	Tolerances	Date	Revised		福州创安光电科技有限公司 FUZHOU CHUANGAN OPTICS CO., LTD
5 : 1	X	±0.2	2019-06-27	CH370A Rev1.0		
	X.0	±0.15				
Units	X.00	±0.10	Design	Linda	2015-04-08	 3D Angle Projection
	X.000	±0.001	Checked	Anna	2015-07-01	
mm	Angle	±0.5°	Approval	Sanmu	2015-07-05	