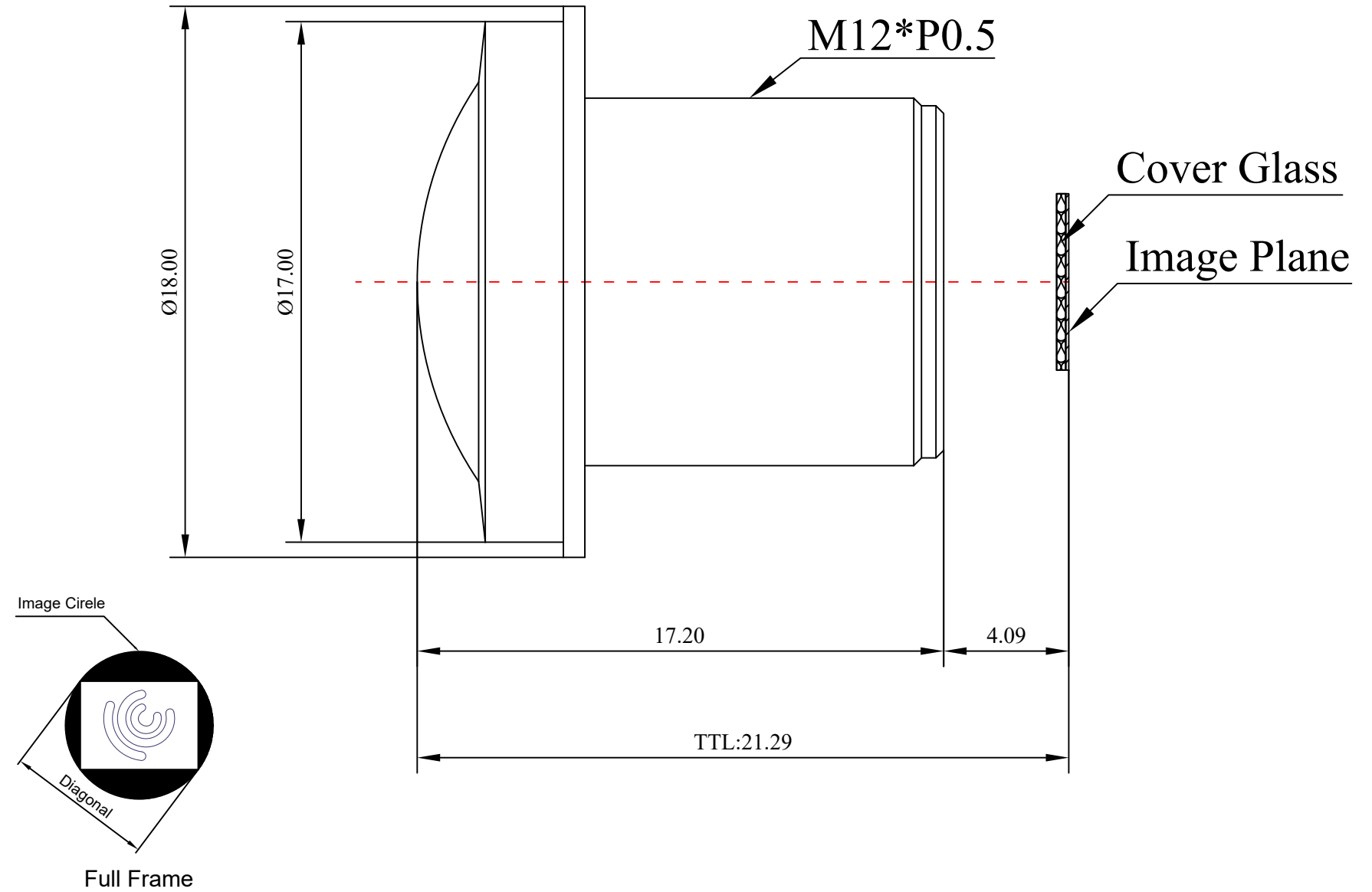
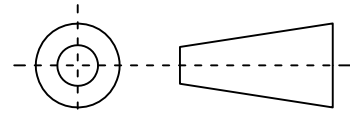


| | | | |
|----|-----------------------|------------------|------|
| 1 | Type | Wide Angle Lens | |
| 2 | Resolution | MP | |
| 3 | Image Format | 1/4" | |
| 4 | Image Circle | φ4.6mm(MAX) | |
| 5 | EFL | 1.53mm | |
| 6 | TTL | 21.07mm | |
| 7 | F/NO. | 2.3 | |
| 8 | FFL (M) | 4.09mm | |
| 9 | BFL (O) | 4.35mm | |
| 10 | For Sensor | 1/4" | |
| 11 | F.O.V | Horizontal | 190° |
| 12 | | Vertical | 95° |
| 13 | | Diagonal | 190° |
| 14 | TV Distortion | <-75% | |
| 15 | Relative Ill. | >80% | |
| 16 | Chief Ray Angle | <16.5° | |
| 17 | M.O.D | 0.1m~∞ | |
| 18 | Mount Type | M12*P0.5 | |
| 19 | Dimension Figure | φ18.0*L17.20mm | |
| 20 | Lens Structure | 6G | |
| 21 | IR-Filter | T=50%&IR650±10nm | |
| 22 | Waterproof | IP69 | |
| 23 | Weight | --- | |
| 24 | Iris Operation | Fixed | |
| 25 | Zoom Operation | Fixed | |
| 26 | Focus Operation | Manual | |
| 27 | Operating Temperature | -20° ~+85° | |
| 28 | Storage Temperature | -20° ~+85° | |



| Scale | Remark | Tolerances | Date | Revised | |
|-------|--------|------------|------------|----------------|------------|
| 4:1 | X | ±0.2 | 2020-06-11 | CH3709A Rev1.0 | |
| | X.0 | ±0.15 | | | |
| Units | X.00 | ±0.10 | Design | Linda | 2020-03-26 |
| | X.000 | ±0.001 | Checked | Anna | 2020-04-20 |
| mm | Angle | ±0.5° | Approval | Sanmu | 2020-05-13 |

福州创安光电科技有限公司
FUZHOU CHUANGAN OPTICS CO., LTD



3D Angle Projection