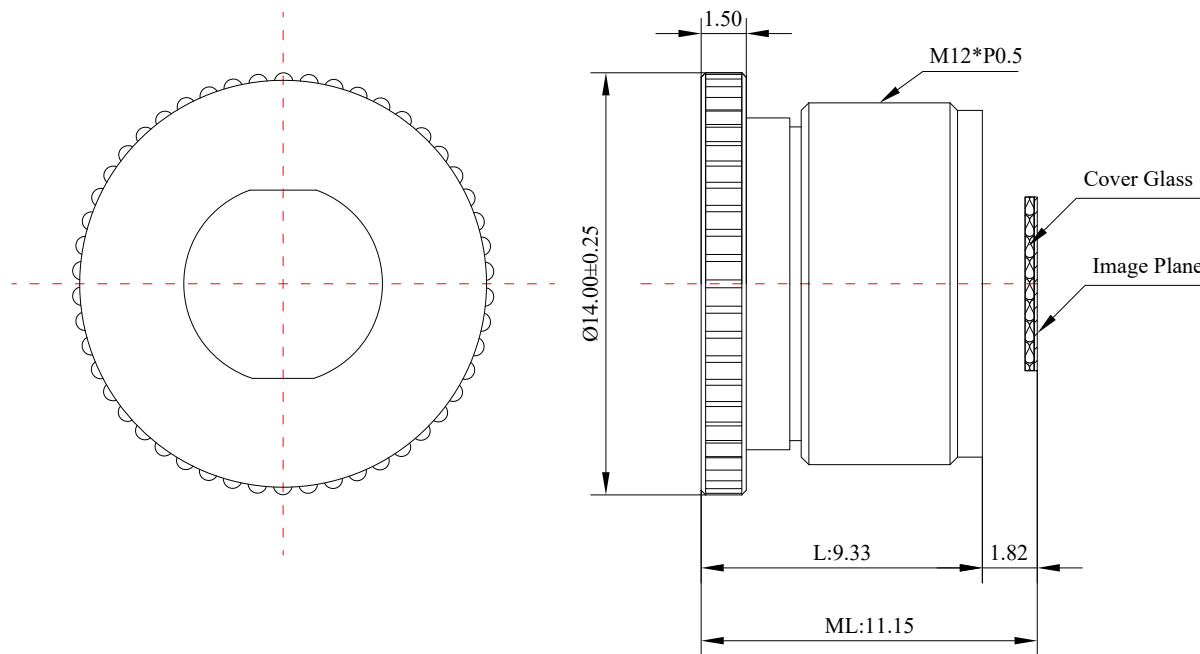
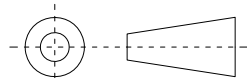


| | | | |
|----|-----------------------|---------------------|-------|
| 1 | Type | Low Distortion Lens | |
| 2 | Resolution | MP | |
| 3 | Image Format | 1/2.3" | |
| 4 | Image Circle | φ8.0mm(MAX) | |
| 5 | EFL | 7.45mm | |
| 6 | ML | 11.15mm | |
| 7 | F/NO. | 6.0 | |
| 8 | FFL (M) | 1.82mm | |
| 9 | BFL (O) | 2.06mm | |
| 10 | For Sensor | 1/2.3" | |
| 11 | F.O.V | Horizontal | 45.1° |
| 12 | | Vertical | 34.5° |
| 13 | | Diagonal | 55° |
| 14 | TV Distortion | <-1% | |
| 15 | Relative Ill. | >50% | |
| 16 | Chief Ray Angle | <16° | |
| 17 | M.O.D | 0.1m~∞ | |
| 18 | Mount Type | M12*P0.5 | |
| 19 | Dimension Figure | φ14.0*L9.33mm | |
| 20 | Lens Structure | 2G2P | |
| 21 | IR-Filter | T=50%&IR650±10nm | |
| 22 | Waterproof | No | |
| 23 | Weight | 1.3g | |
| 24 | Iris Operation | Fixed | |
| 25 | Zoom Operation | Fixed | |
| 26 | Focus Operation | Manual | |
| 27 | Operating Temperature | -10° ~+45° | |
| 28 | Storage Temperature | -10° ~+45° | |



| Scale | Remark | Tolerances | Date | Revised | | 福州创安光电科技有限公司 FUZHOU CHUANGAN OPTICS CO., LTD |
|-------|--------|------------|------------|----------------|------------|--|
| 4:1 | X | ±0.2 | 2020-09-13 | CH3707B Rev1.0 | | |
| Units | X.00 | ±0.10 | Design | Linda | 2020-05-10 |  3D Angle Projection |
| | X.000 | ±0.001 | Checked | Anna | 2020-06-08 | |
| mm | Angle | ±0.5° | Approval | Sanmu | 2020-06-13 | |