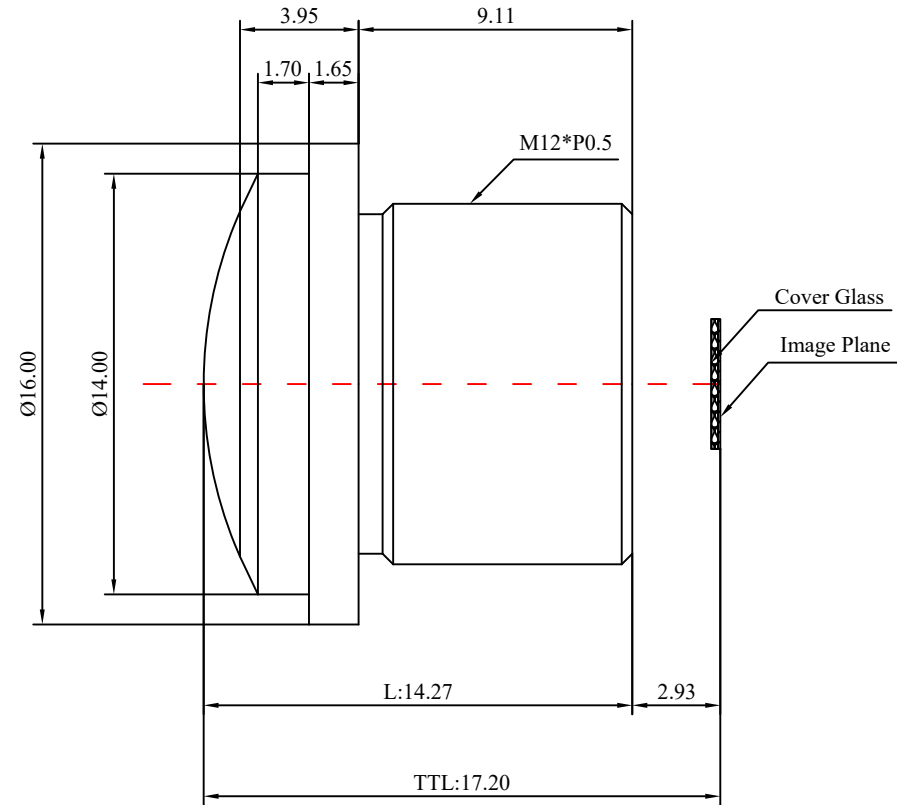
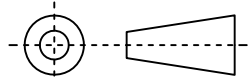


1	Type	Fisheye Lens	
2	Resolution	5MP	
3	Image Format	1/2.9"	
4	Image Circle	φ6.4mm(MAX)	
5	EFL	1.97mm	
6	TTL	17.20mm	
7	F/NO.	F2.0	
8	FFL (M)	2.93mm	
9	BFL (O)	3.73mm	
10	For Sensor	GC2053	
11	F.O.V	Horizontal	160°
12		Vertical	87°
13		Diagonal	190°
14	F-Theta Distortion	<-76.4%	
15	Relative Ill.	>80%	
16	Chief Ray Angle	<17.8°	
17	M.O.D	0.1m~∞	
18	Mount Type	M12*P0.5	
19	Dimension Figure	Ø16.0*L14.27mm	
20	Lens Structure	2G4P	
21	IR-Filter	Non-IR	
22	Waterproof	IP69K	
23	Weight	/	
24	Iris Operation	Fixed	
25	Zoom Operation	Fixed	
26	Focus Operation	Manual	
27	Operating Temperature	-40° ~+85°	
28	Storage Temperature	-40° ~+85°	



Scale	Remark	Tolerances	Date	Revsied		福州创安光电科技有限公司 FUZHOU CHUANGAN OPTICS CO., LTD
4: 1	X	±0.2	2018-03-15	CH368A Rev1.0		
Units	X.00	±0.10	Design	Linda	2017-12-29	 3D Angle Projection
	X.000	±0.001	Checked	Anna	2018-01-18	
mm	Angle	±0.05°	Approval	Sanmu	2018-02-26	