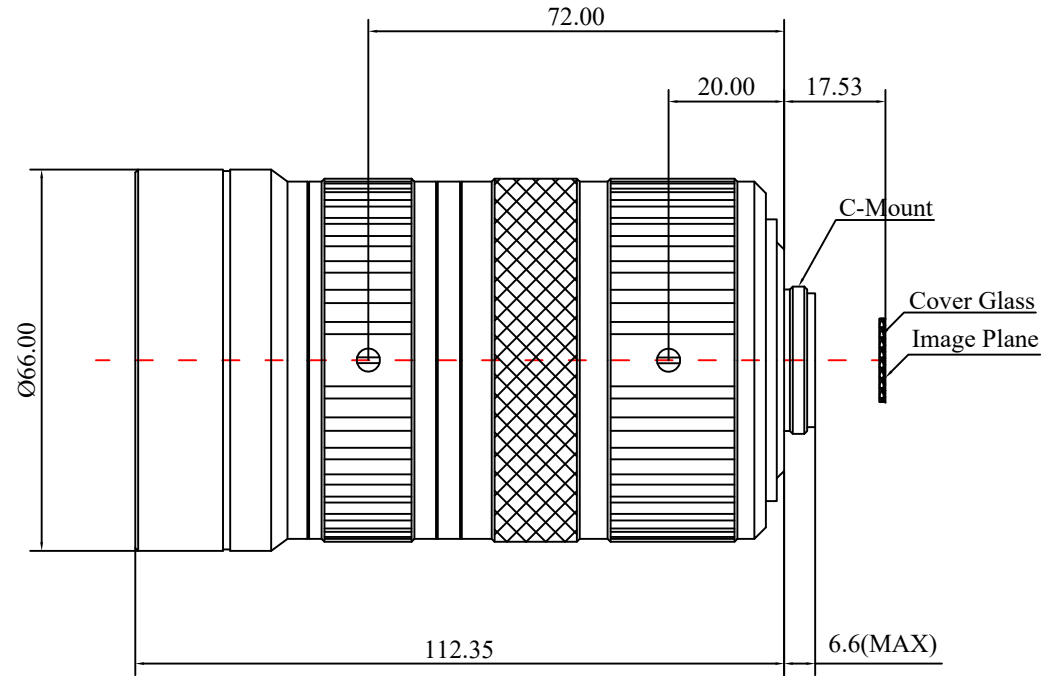
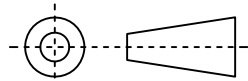


| | | | | | |
|----|-----------------------|-----------------|------------|------------|------------|
| 1 | Type | Vari-Focal Lens | | | |
| 2 | Resolution | 12MP | | | |
| 3 | Image Format | 1" | | | |
| 4 | Image Circle | φ17.6mm(MAX) | | | |
| 5 | EFL | 16.5~38.5mm | | | |
| 6 | Flange BFL | 17.526mm | | | |
| 7 | F/NO. | F1.6 | | | |
| 8 | FFL (M) | 17.53mm | | | |
| 9 | BFL (O) | 11.06mm | | | |
| 10 | For Sensor | 1.1" | 1" | 1/1.2" | |
| 11 | F.O.V | Horizontal | 21.2~50.1° | 20.7~49° | 16.5~38.7° |
| 12 | | Vertical | 14.7~34.4° | 11.1~25.9° | 9.3~21.7° |
| 13 | | Diagonal | 25.3~60.3° | 23.5~55.7° | 18.8~44.4° |
| 14 | OPT Distortion | <-1.2~9% | <-0.81~8% | <-0.3~5.4% | |
| 15 | Chief Ray Angle | <5.9~6.1° | <6.4~6.2° | <7.0~6.3° | |
| 16 | Relative Ill. | --- | | | |
| 17 | M.O.D | 1.5~2.5m(W-T) | | | |
| 18 | Mount Type | C-Mount | | | |
| 19 | Dimension Figure | φ66*L112.35mm | | | |
| 20 | IR-Correction | Yes | | | |
| 21 | Filter Size | --- | | | |
| 22 | Coating Range | 400-900nm | | | |
| 23 | Weight | 738g | | | |
| 24 | Iris Operation | Manual | | | |
| 25 | Zoom Operation | Manual | | | |
| 26 | Focus Operation | Manual | | | |
| 27 | Operating Temperature | -20° ~+85° | | | |
| 28 | Storage Temperature | -20° ~+85° | | | |



| Scale | Remark | Tolerances | Date | Revised | | 福州创安光电科技有限公司 FUZHOU CHUANGAN OPTICS CO., LTD |
|-------|--------|------------|------------|----------------|------------|--|
| 4:1 | X | ±0.2 | 2024-05-09 | CH3690B Rev1.0 | | |
| Units | X.00 | ±0.10 | Design | Linda | 2024-03-13 |  3D Angle Projection |
| | X.000 | ±0.001 | Checked | Anna | 2024-04-09 | |
| mm | Angle | ±0.5° | Approval | Sanmu | 2024-04-19 | |