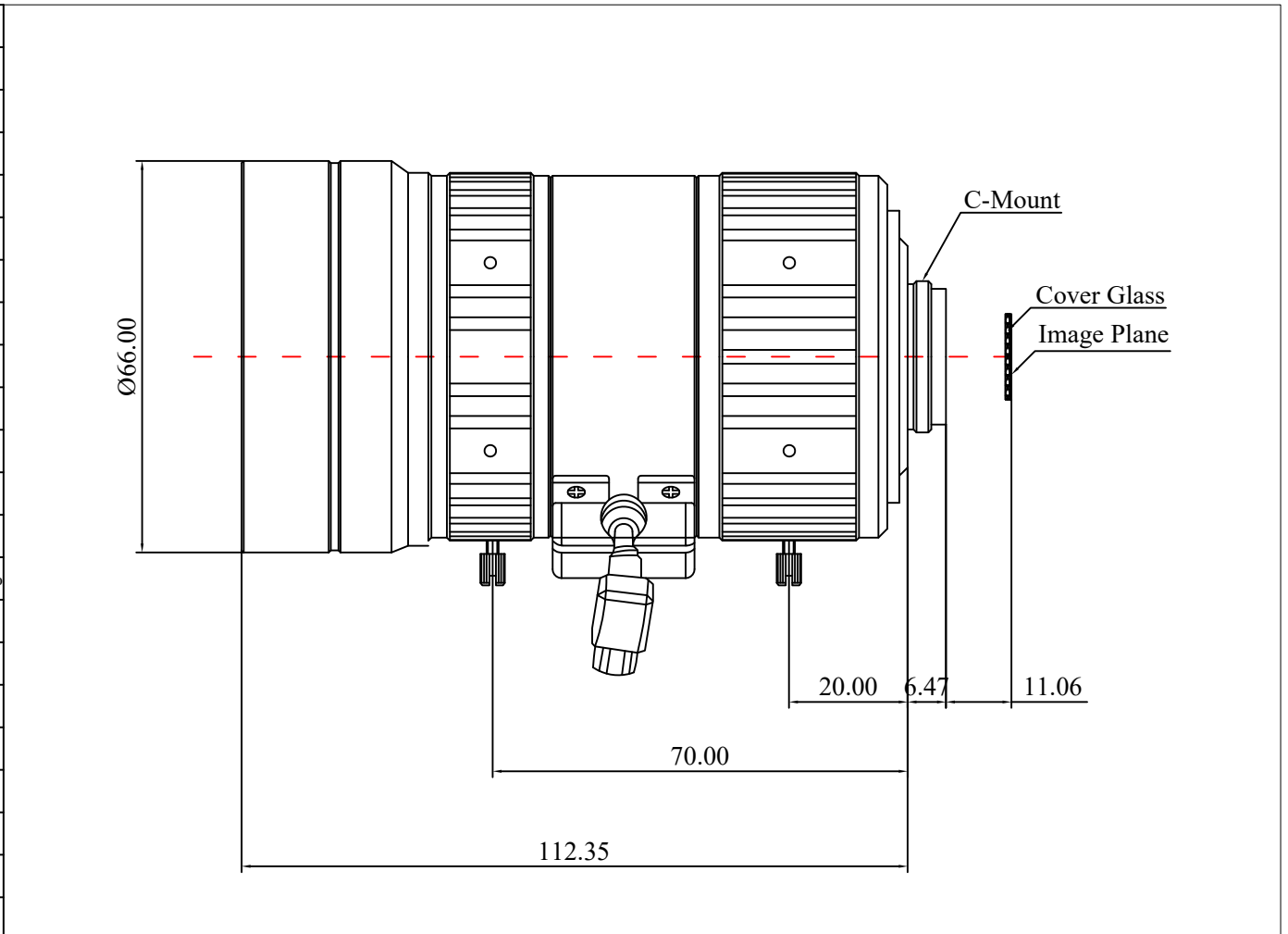
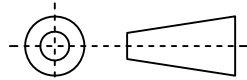


1	Type	Vari-Focal Lens			
2	Resolution	12MP			
3	Image Format	1"			
4	Image Circle	φ17.6mm(MAX)			
5	EFL	16.5~38.5mm			
6	Flange BFL	17.526mm			
7	F/NO.	F1.6			
8	FFL (M)	17.53mm			
9	BFL (O)	11.06mm			
10	For Sensor	1.1"	1"	1/1.2"	
11	F.O.V	Horizontal	21.2~50.1°	20.7~49°	16.5~38.7°
12		Vertical	14.7~34.4°	11.1~25.9°	9.3~21.7°
13		Diagonal	25.3~60.3°	23.5~55.7°	18.8~44.4°
14	OPT Distortion	<-1.2~9%	<-0.81~8%	<-0.3~5.4%	
15	Chief Ray Angle	<5.9~6.1°	<6.4~6.2°	<7.0~6.3°	
16	Relative Ill.	---			
17	M.O.D	1.5~2.5m(W-T)			
18	Mount Type	C-Mount			
19	Dimension Figure	φ66*L112.35mm			
20	IR-Correction	Yes			
21	Filter Size	---			
22	Coating Range	400-900nm			
23	Weight	738g			
24	Iris Operation	P-Iris			
25	Zoom Operation	Manual			
26	Focus Operation	Manual			
27	Operating Temperature	-20° ~+85°			
28	Storage Temperature	-20° ~+85°			



Scale	Remark	Tolerances	Date	Revised		福州创安光电科技有限公司 FUZHOU CHUANGAN OPTICS CO., LTD
4:1	X	±0.2	2024-05-09	CH3690A Rev1.0		
Units	X.00	±0.10	Design	Linda	2024-03-13	 3D Angle Projection
	X.000	±0.001	Checked	Anna	2024-04-09	
mm	Angle	±0.5°	Approval	Sanmu	2024-04-19	