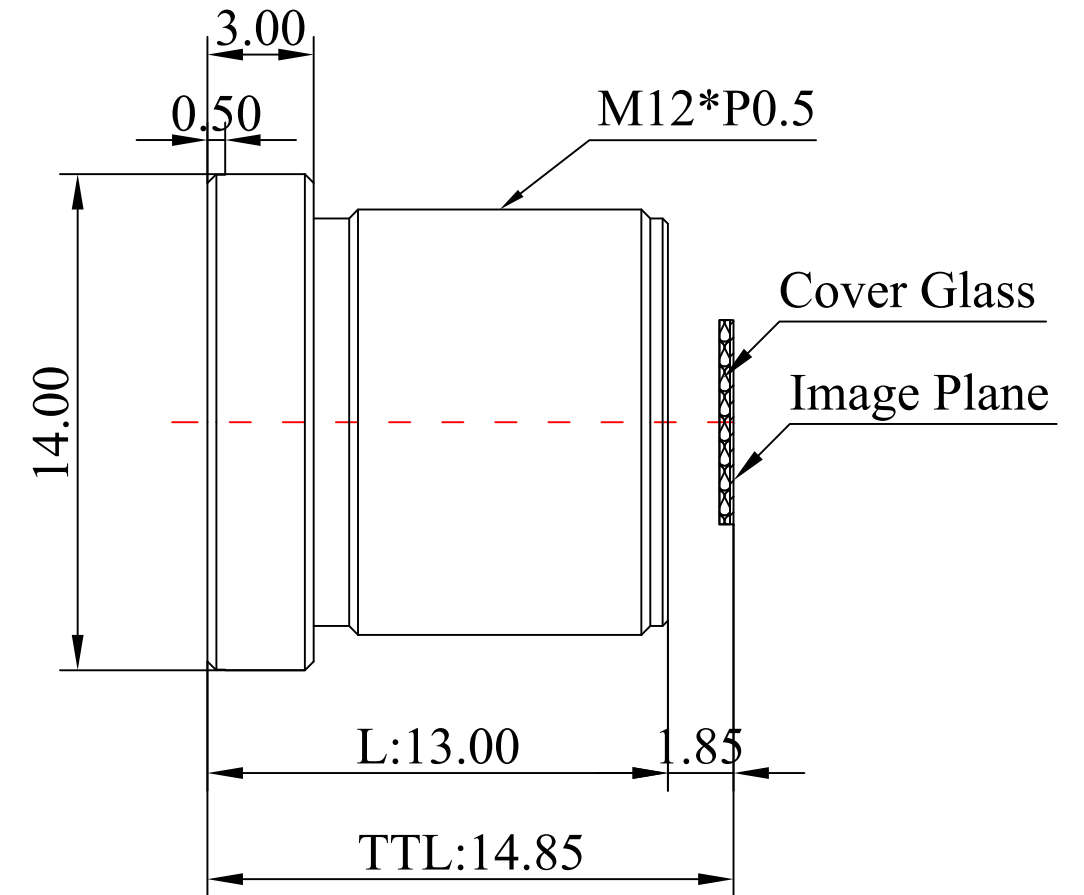
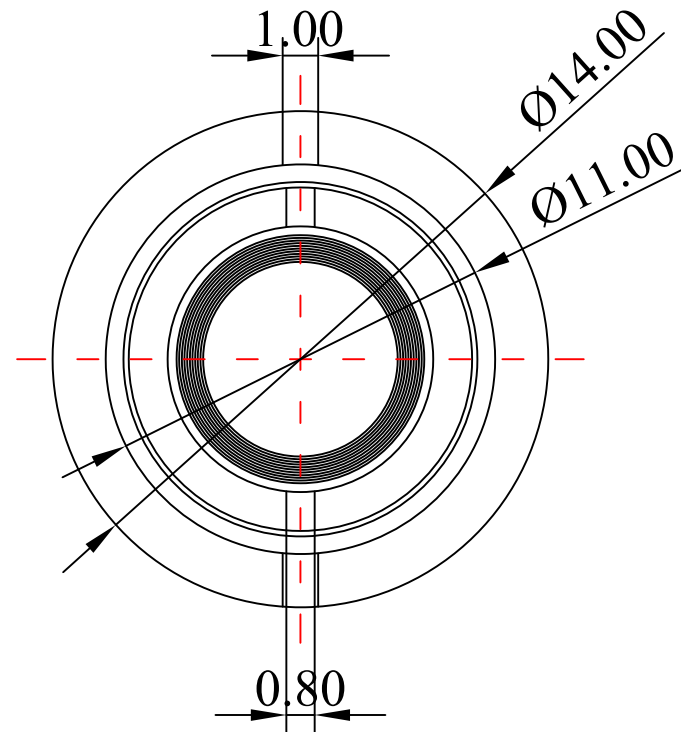


1	Type	Low Distortion Lens	
2	Resolution	MP	
3	Image Format	1/3"	
4	Image Circle	φ6.0mm(MAX)	
5	EFL	9.0mm	
6	TTL	14.85mm	
7	F/NO.	6.0	
8	FFL (M)	1.85mm	
9	BFL (O)	8.0mm	
10	For Sensor	1/3"	
11	F.O.V	Horizontal	28°
12		Vertical	21°
13		Diagonal	34°
14	OPT Distortion	<1%	
15	Relative Ill.	>80%	
16	Chief Ray Angle	<18°	
17	M.O.D	0.3m~∞	
18	Mount Type	M12*P0.5	
19	Dimension Figure	φ14.00*L13.0mm	
20	Lens Structure	4G	
21	IR-Filter	Non-IR	
22	Waterproof	No	
23	Weight	3.3g	
24	Iris Operation	Fixed	
25	Zoom Operation	Fixed	
26	Focus Operation	Manual	
27	Operating Temperature	-20° ~+85°	
28	Storage Temperature	-20° ~+85°	



Scale	Remark	Tolerances	Date	Revised		福州创安光电科技有限公司 FUZHOU CHUANGAN OPTICS CO., LTD
4:1	X	±0.2	2020-05-14	CH3676A Rev1.0		
	X.0	±0.15				
Units	X.00	±0.10	Design	Linda	2020-03-13	
	X.000	±0.001	Checked	Anna	2020-04-09	
mm	Angle	±0.5°	Approval	Sanmu	2020-04-19	

