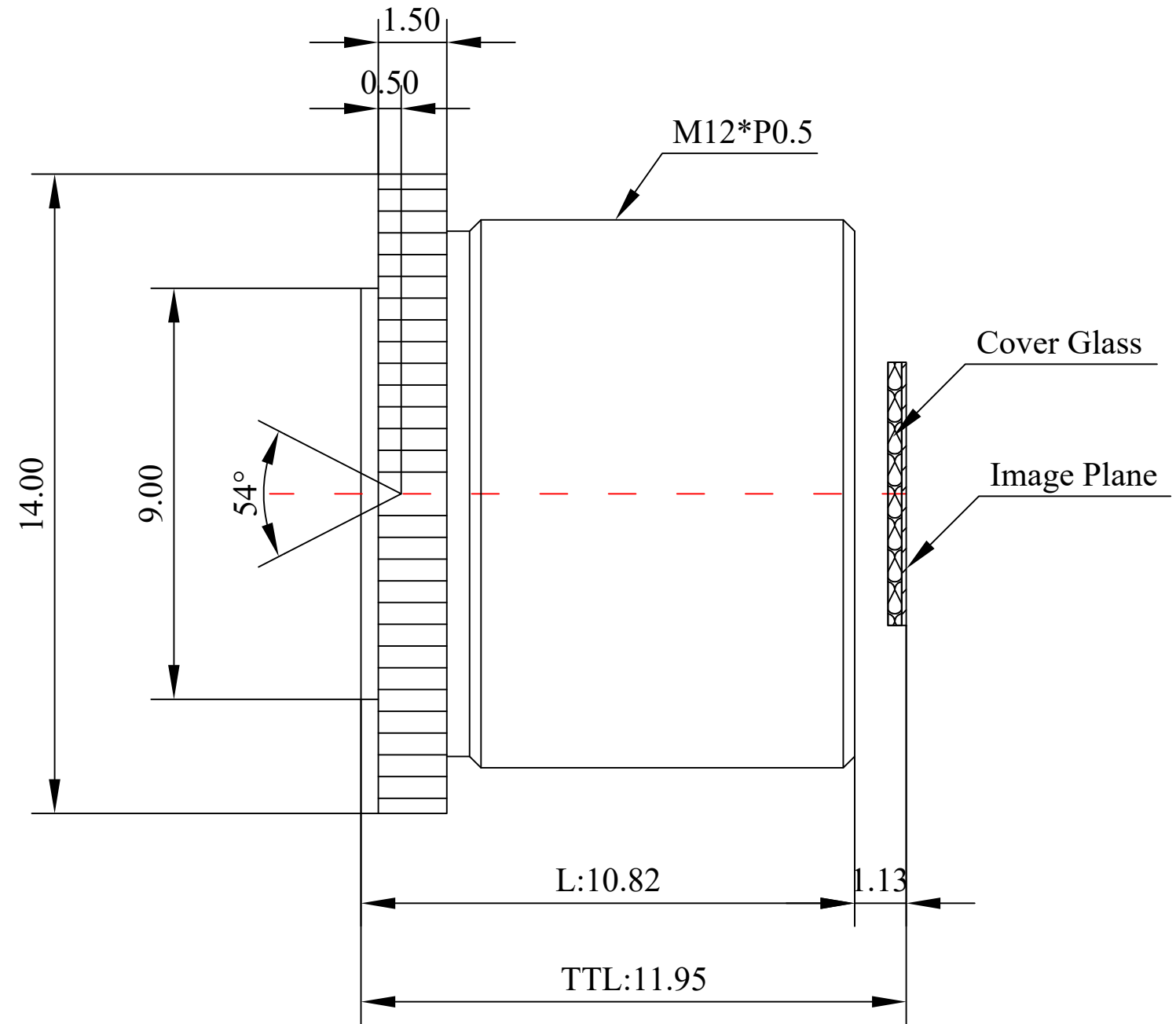
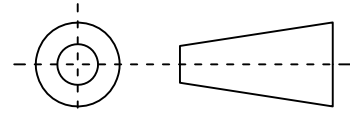


1	Type	Low Distortion Lens		
2	Resolution	8MP		
3	Image Format	1/1.8"		
4	Image Circle	φ9.0mm(MAX)		
5	EFL	8.5mm		
6	TTL	11.95mm		
7	F/NO.	3.0		
8	FFL (M)	1.13mm		
9	BFL (O)	2.90mm		
10	For Sensor	IMX334	OV5645	
11	F.O.V	Horizontal	44.1°	24.38°
12		Vertical	33.2°	18.38°
13		Diagonal	54.3°	30.27°
14	TV Distortion	<-1.15%		
15	Relative Ill.	>63.77%		
16	Chief Ray Angle	<27.36°		
17	M.O.D	0.1m~∞		
18	Mount Type	M12*P0.5		
19	Dimension Figure	φ14.00*L10.82mm		
20	Lens Structure	5G		
21	IR-Filter	Non-IR		
22	Waterproof	No		
23	Weight	6.6g		
24	Iris Operation	Fixed		
25	Zoom Operation	Fixed		
26	Focus Operation	Manual		
27	Operating Temperature	-20° ~+85°		
28	Storage Temperature	-20° ~+85°		



Scale	Remark	Tolerances	Date	Revised		福州创安光电科技有限公司 FUZHOU CHUANGAN OPTICS CO., LTD
4:1	X	±0.2	2020-05-14	CH3659A Rev1.0		
	X.0	±0.15				
Units	X.00	±0.10	Design	Linda	2020-03-13	 3D Angle Projection
	X.000	±0.001	Checked	Anna	2020-04-09	
mm	Angle	±0.5°	Approval	Sanmu	2020-04-19	