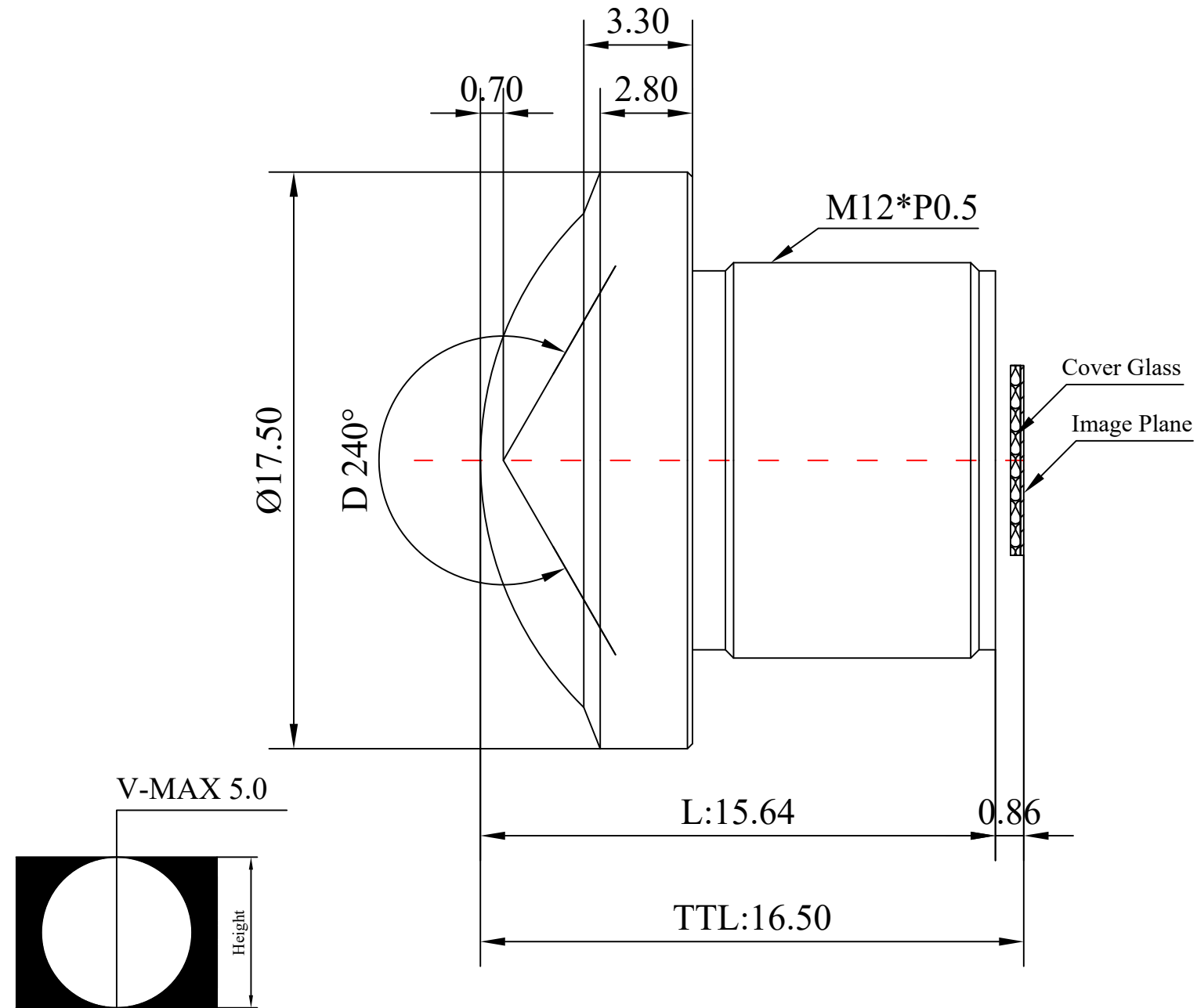
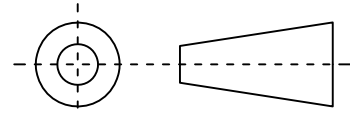


1	Type	Fisheye Lens	
2	Resolution	12MP	
3	Image Format	1/2"	
4	Image Circle	φ5.0mm(MAX)	
5	EFL	1.45mm	
6	TTL	16.50mm	
7	F/NO.	2.0	
8	FFL (M)	0.86mm	
9	BFL (O)	2.60mm	
10	For Sensor	1/2"	IMX412
11	F.O.V	Horizontal	240° 212°
12		Vertical	215° 212°
13		Diagonal	240° 212°
14	F-Theta Distortion	-20%	
15	Relative Ill.	>75%	
16	Chief Ray Angle	<18°	
17	M.O.D	0.1m~∞	
18	Mount Type	M12*P0.5	
19	Dimension Figure	φ17.5*L15.64mm	
20	Lens Structure	8G	
21	IR-Filter	T=50% & 650±10nm	
22	Waterproof	No	
23	Weight	5.5g	
24	Iris Operation	Fixed	
25	Zoom Operation	Fixed	
26	Focus Operation	Manual	
27	Operating Temperature	-20° ~+85°	
28	Storage Temperature	-20° ~+85°	



Scale	Remark	Tolerances	Date	Revised	
5:1	X	±0.2	2020-04-03	CH3647A Rev1.0	
	X.0	±0.15			
Units	X.00	±0.10	Design	Linda	2019-08-17
	X.000	±0.001	Checked	Anna	2019-09-14
mm	Angle	±0.5°	Approval	Sanmu	2019-12-21

福州创安光电科技有限公司
 FUZHOU CHUANGAN OPTICS CO., LTD



3D Angle Projection