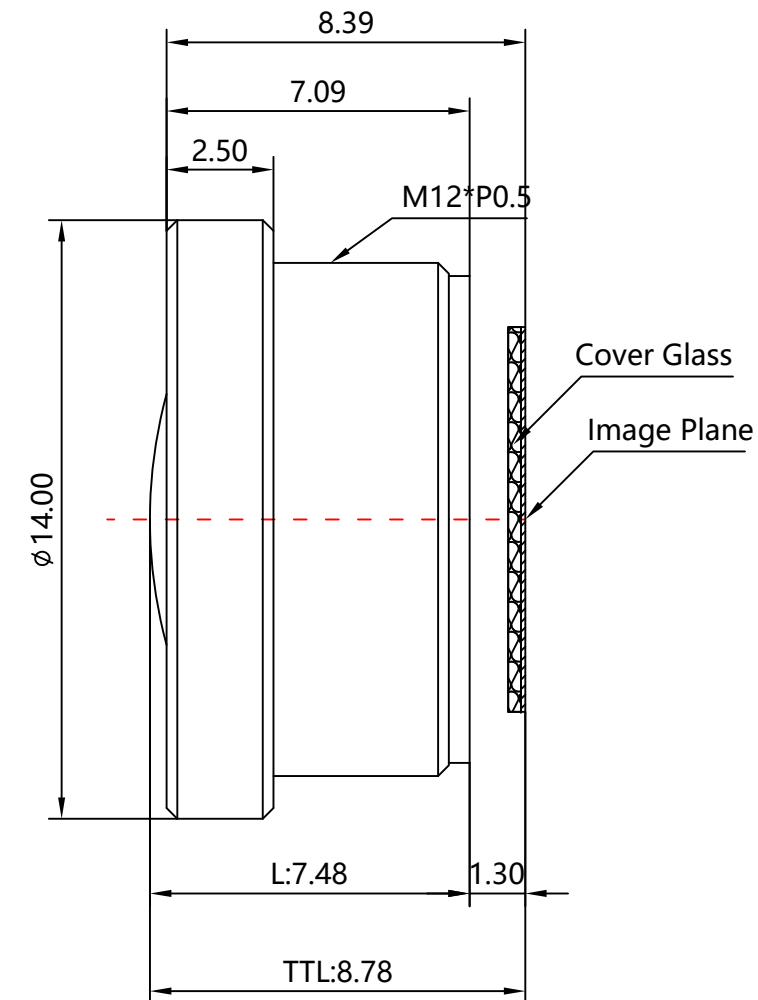


1	Type	Wide Angle Lens	
2	Resolution	1.3MP	
3	Image Format	1/3.7"&1/4"	
4	Image Circle	φ5.3mm(MAX)	
5	EFL	1.15mm	
6	TTL	8.78mm	
7	F/NO.	2.5	
8	FFL (M)	1.30mm	
9	BFL (O)	2.14mm	
10	For Sensor	1/3.7"	OV9712
11	F.O.V	Horizontal	133°
12		Vertical	89°
13		Diagonal	150°
14	TV Distortion	<-23%	<-16%
15	Relative Ill.	>60%	
16	Chief Ray Angle	<15°	
17	M.O.D	0.1m~∞	
18	Mount Type	M12*P0.5	
19	Dimension Figure	φ14.00*L7.48mm	
20	Lens Structure	2G2P	
21	IR-Filter	T=50% &650±10nm	
22	Waterproof	IP67	
23	Weight	1.7g	
24	Iris Operation	Fixed	
25	Zoom Operation	Fixed	
26	Focus Operation	Manual	
27	Operating Temperature	-20° ~+65°	
28	Storage Temperature	-20° ~+65°	



Scale	Remark	Tolerances	Date	Revised		福州创安光电科技有限公司 FUZHOU CHUANGAN OPTICS CO., LTD
4:1	X	±0.2	2019-07-22	CH3606B-Rev1.0		
	X.0	±0.15				
Units	X.00	±0.10	Design	Linda	2019-05-26	
	X.000	±0.001	Checked	Anna	2019-05-27	
mm	Angle	±0.5°	Approval	Sanmu	2019-05-28	

