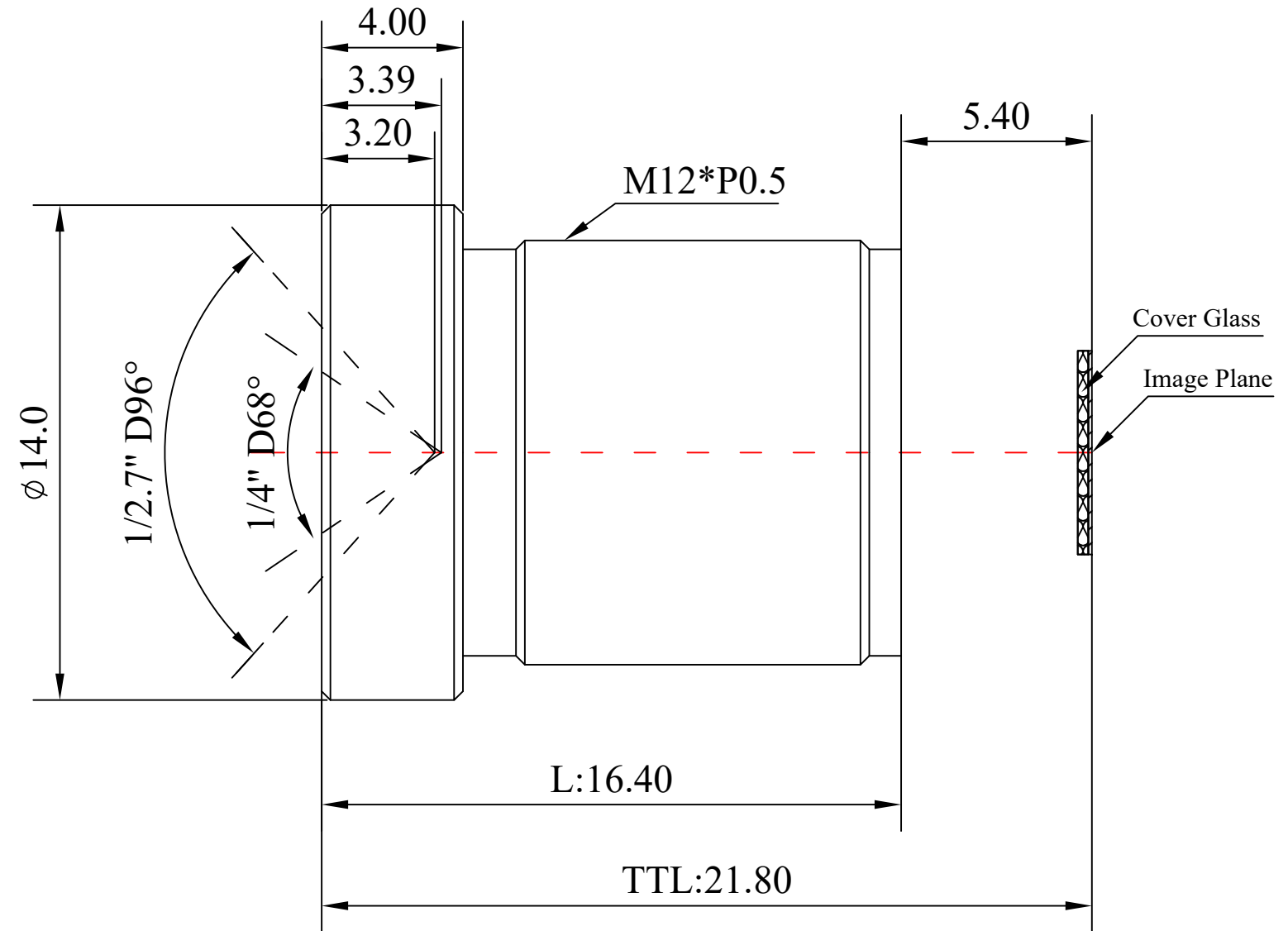
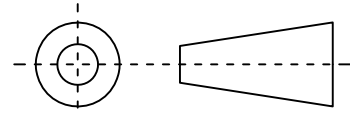


|    |                       |                |         |
|----|-----------------------|----------------|---------|
| 1  | Type                  | Board Lens     |         |
| 2  | Resolution            | 5MP            |         |
| 3  | Image Format          | 1/2.7"         |         |
| 4  | Image Circle          | φ6.8mm(MAX)    |         |
| 5  | EFL                   | 4.0mm          |         |
| 6  | TTL                   | 21.80mm        |         |
| 7  | F/NO.                 | 5.6            |         |
| 8  | FFL (M)               | 5.40mm         |         |
| 9  | BFL (O)               | 6.20mm         |         |
| 10 | For Sensor            | 1/2.7"         | AR0140  |
| 11 | F.O.V                 | Horizontal     | 84° 54° |
| 12 |                       | Vertical       | 46° 41° |
| 13 |                       | Diagonal       | 96° 68° |
| 14 | TV Distortion         | <-11%(H)       | <-8%(H) |
| 15 | Relative Ill.         | >65%           | >70%    |
| 16 | Chief Ray Angle       | <22°           | <20°    |
| 17 | M.O.D                 | 0.1m~∞         |         |
| 18 | Mount Type            | M12*P0.5       |         |
| 19 | Dimension Figure      | φ14.0*L16.40mm |         |
| 20 | Lens Structure        | 6G             |         |
| 21 | IR-Filter             | Non-IR         |         |
| 22 | Waterproof            | No             |         |
| 23 | Weight                | 5.5g           |         |
| 24 | Iris Operation        | Fixed          |         |
| 25 | Zoom Operation        | Fixed          |         |
| 26 | Focus Operation       | Manual         |         |
| 27 | Operating Temperature | -20° ~+85°     |         |
| 28 | Storage Temperature   | -20° ~+85°     |         |



| Scale | Remark | Tolerances | Date       | Revised        |            | 福州创安光电科技有限公司<br>FUZHOU CHUANGAN OPTICS CO., LTD  |
|-------|--------|------------|------------|----------------|------------|--|
| 4:1   | X      | ±0.2       | 2019-05-08 | CH3593C Rev1.1 |            |  |
|       | X.0    | ±0.15      |            |                |            |  |
| Units | X.00   | ±0.10      | Design     | Linda          | 2018-05-26 | <br>3D Angle Projection |
|       | X.000  | ±0.001     | Checked    | Anna           | 2018-07-20 |  |
| mm    | Angle  | ±0.5°      | Approval   | Sanmu          | 2018-07-20 |  |