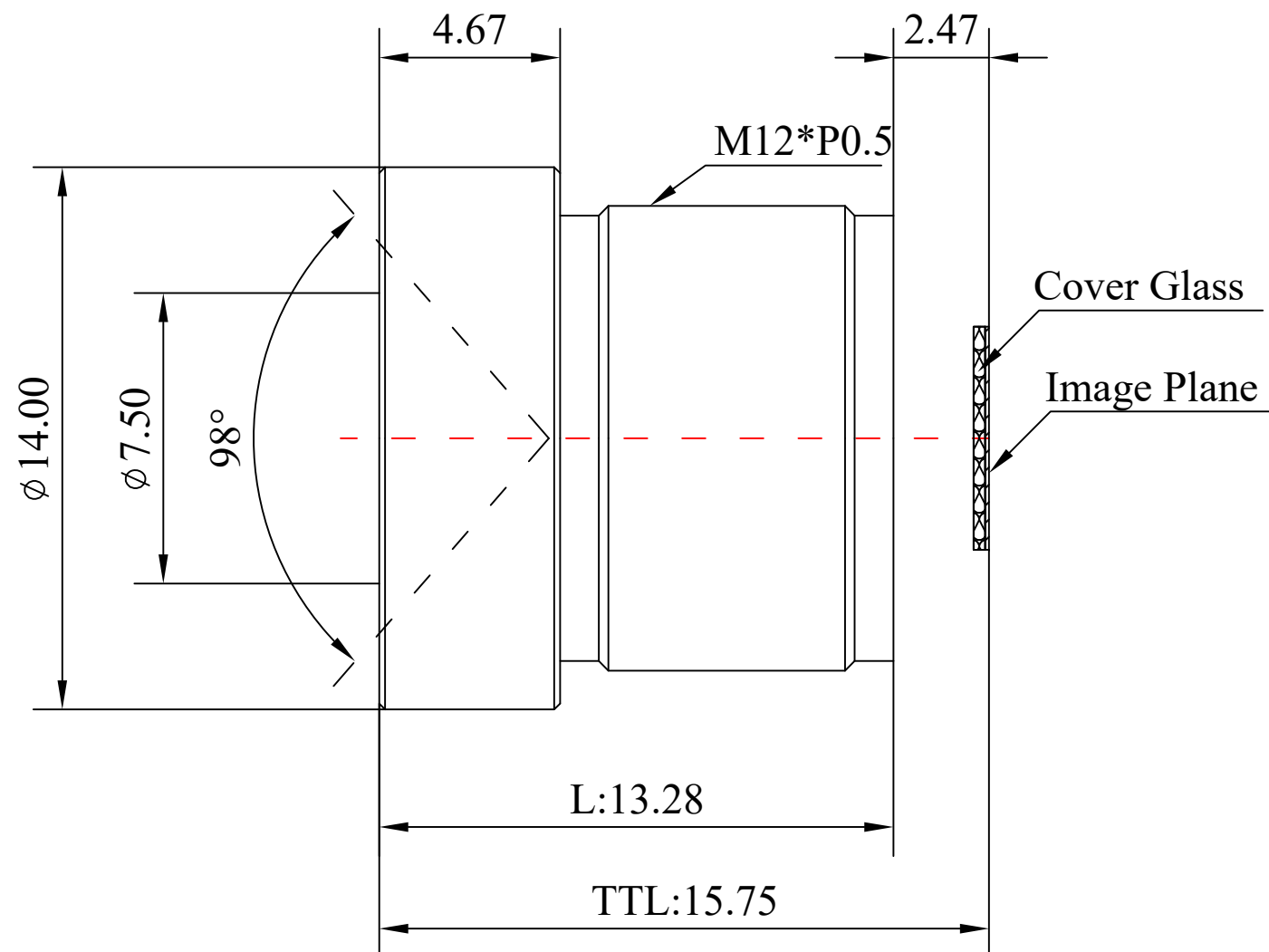
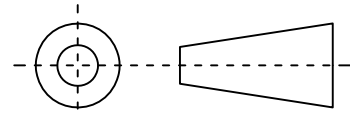


1	Type	Low Distortion Lens		
2	Resolution	8.8MP		
3	Image Format	1/2.7"		
4	Image Circle	φ7.0mm(MAX)		
5	EFL	2.96mm		
6	TTL	15.75mm		
7	F/NO.	<b>2.5</b>		
8	FFL (M)	2.47mm		
9	BFL (O)	3.26mm		
10	For Sensor	OV2710	IMX327	
11	F.O.V	Horizontal	88.3°	86°
12		Vertical	57.1°	55°
13		Diagonal	98°	94°
14	TV Distortion	<-1%		
15	Relative Ill.	>60%		
16	Chief Ray Angle	<15.6°		
17	M.O.D	0.1m~∞		
18	Mount Type	<b>M12*P0.5</b>		
19	Dimension Figure	φ14.0*L13.28mm		
20	Lens Structure	4G2P(PM)		
21	IR-Filter	Non-IR		
22	Waterproof	No		
23	Weight	4.6g		
24	Iris Operation	Fixed		
25	Zoom Operation	Fixed		
26	Focus Operation	Manual		
27	Operating Temperature	-20° ~+85°		
28	Storage Temperature	-20° ~+85°		



Scale	Remark	Tolerances	Date	Revised		福州创安光电科技有限公司 FUZHOU CHUANGAN OPTICS CO., LTD
4:1	X	±0.2	2019-05-22	CH3559C Rev1.0		
	X.0	±0.15				
Units	X.00	±0.10	Design	Linda	2018-05-26	 3D Angle Projection
	X.000	±0.001	Checked	Anna	2018-07-20	
mm	Angle	±0.5°	Approval	Sanmu	2018-07-20	