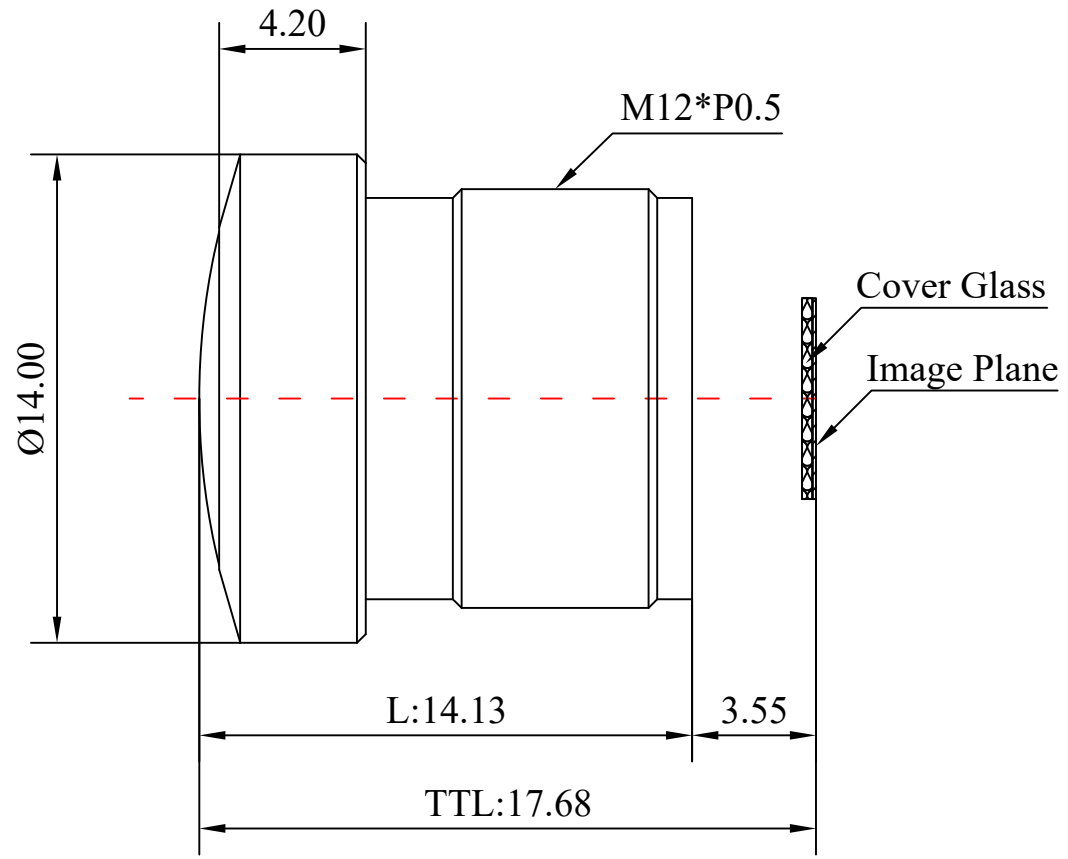
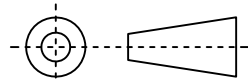


1	Type	Wide Angle Lens		
2	Resolution	6MP		
3	Image Format	1/2.7"		
4	Image Circle	φ6.8mm(MAX)		
5	EFL	2.78mm		
6	TTL	17.68mm		
7	F/NO.	1.8		
8	FFL (M)	3.55mm		
9	BFL (O)	4.69mm		
10	For Sensor	AR0230	IMX335	
11	F.O.V	Horizontal	130°	115°
12		Vertical	69°	82°
13		Diagonal	166°	155°
14	TV Distortion	<-8.6%		
15	Relative Ill.	>55%		
16	Chief Ray Angle	<13.8°		
17	M.O.D	0.1m~∞		
18	Mount Type	M12*P0.5		
19	Dimension Figure	φ14.0*L14.13mm		
20	Lens Structure	6G		
21	IR-Filter	T=50% &650±10nm		
22	Waterproof	No		
23	Weight	6.6g		
24	Iris Operation	Fixed		
25	Zoom Operation	Fixed		
26	Focus Operation	Manual		
27	Operating Temperature	-20° ~+85°		
28	Storage Temperature	-20° ~+85°		



Scale	Remark	Tolerances	Date	Revised	
4:1	X	±0.2	2019-07-21	CH3544A Rev1.1	
	X.0	±0.15			
Units	X.00	±0.10	Design	Linda	2019-05-26
	X.000	±0.001	Checked	Anna	2019-07-20
mm	Angle	±0.5°	Approval	Sanmu	2019-07-20

福州创安光电科技有限公司
FUZHOU CHUANGAN OPTICS CO., LTD



3D Angle Projection