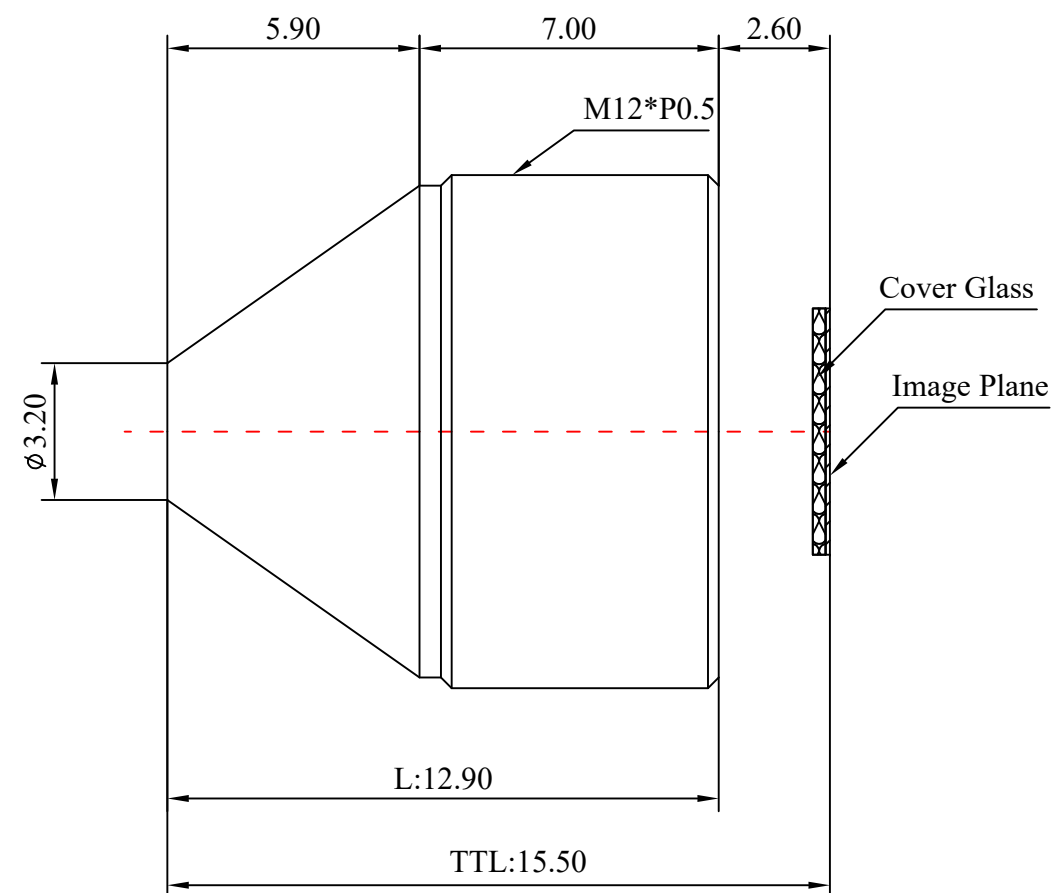


1	Type	Pinhole Lens	
2	Resolution	2MP	
3	Image Format	1/2.5"	
4	Image Circle	φ7.2mm(MAX)	
5	EFL	8.0mm	
6	TTL	15.5mm	
7	F/NO.	4.0	
8	FFL (M)	2.60mm	
9	BFL (O)	3.65mm	
10	For Sensor	1/2.5"	
11	F.O.V	Horizontal	36°
12		Vertical	30°
13		Diagonal	55°
14	TV Distortion	<-3%	
15	Relative Ill.	>55%	
16	Chief Ray Angle	<11°	
17	M.O.D	0.2m~∞	
18	Mount Type	M12*P0.5	
19	Dimension Figure	φ12.00*L12.90mm	
20	Lens Structure	5G	
21	IR-Filter	IR650nm	
22	Weight	2.1g	
23	Iris Operation	Fixed	
24	Zoom Operation	Fixed	
25	Focus Operation	Manual	
26	Operating Temperature	-20° ~+85°	
27	Storage Temperature	-20° ~+85°	



Scale	Remark	Tolerances	Date	Revised		福州创安光电科技有限公司 FUZHOU CHUANGAN OPTICS CO., LTD
4:1	X	± 0.2	2019-06-22	CH3302AB Rev1.0		
	X.0	± 0.15				
Units	X.00	± 0.10	Design	Linda	2017-03-17	
	X.000	± 0.001	Checked	Anna	2017-04-26	
mm	Angle	± 0.5°	Approval	Sanmu	2017-06-15	

