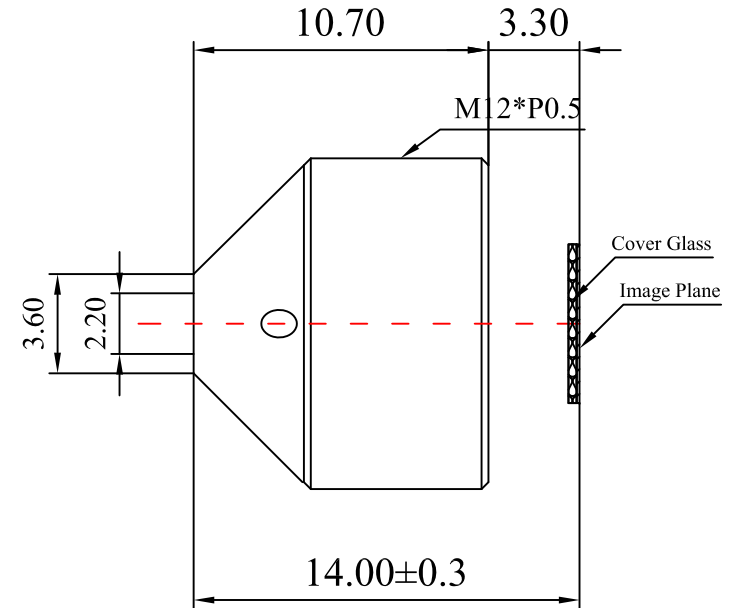
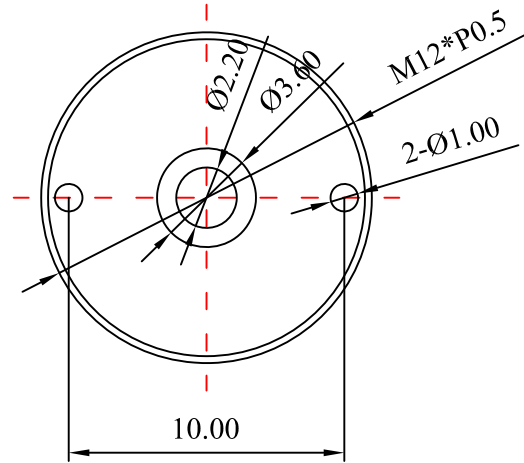


1	Type	Pinhole Lens	
2	Resolution	2MP	
3	Image Format	1/2.5"	
4	Image Circle	φ7.2mm(MAX)	
5	EFL	6mm	
6	TTL	14.00mm	
7	F/NO.	1.6	
8	FFL (M)	3.30mm	
9	BFL (O)	4.56mm	
10	For Sensor	1/2.5"	
11	F.O.V	Horizontal	55°
12		Vertical	39.5°
13		Diagonal	70°
14	TV Distortion	<-3.33%	
15	Relative Ill.	>65%	
16	Chief Ray Angle	<17°	
17	M.O.D	0.3m~∞	
18	Mount Type	M12*P0.5	
19	Dimension Figure	φ12.0*L10.70mm	
20	Lens Structure	5G	
21	IR-Filter	Non IR	
22	Weight	2.0g	
23	Iris Operation	Fixed	
24	Zoom Operation	Fixed	
25	Focus Operation	Manual	
26	Operating Temperature	-20° ~+85°	
27	Storage Temperature	-20° ~+85°	



Scale	Remark	Tolerances	Date	Revised	
4: 1	X	± 0.2	2021-05-11	CH3300A Rev1.0	
	X.0	± 0.15			
Units	X.00	± 0.10	Design	Linda	2018-03-11
	X.000	± 0.001	Checked	Anna	2018-04-12
mm	Angle	± 0.5°	Approval	Sanmu	2018-08-10

福州创安光电科技有限公司
 FUZHOU CHUANGAN OPTICS CO., LTD

