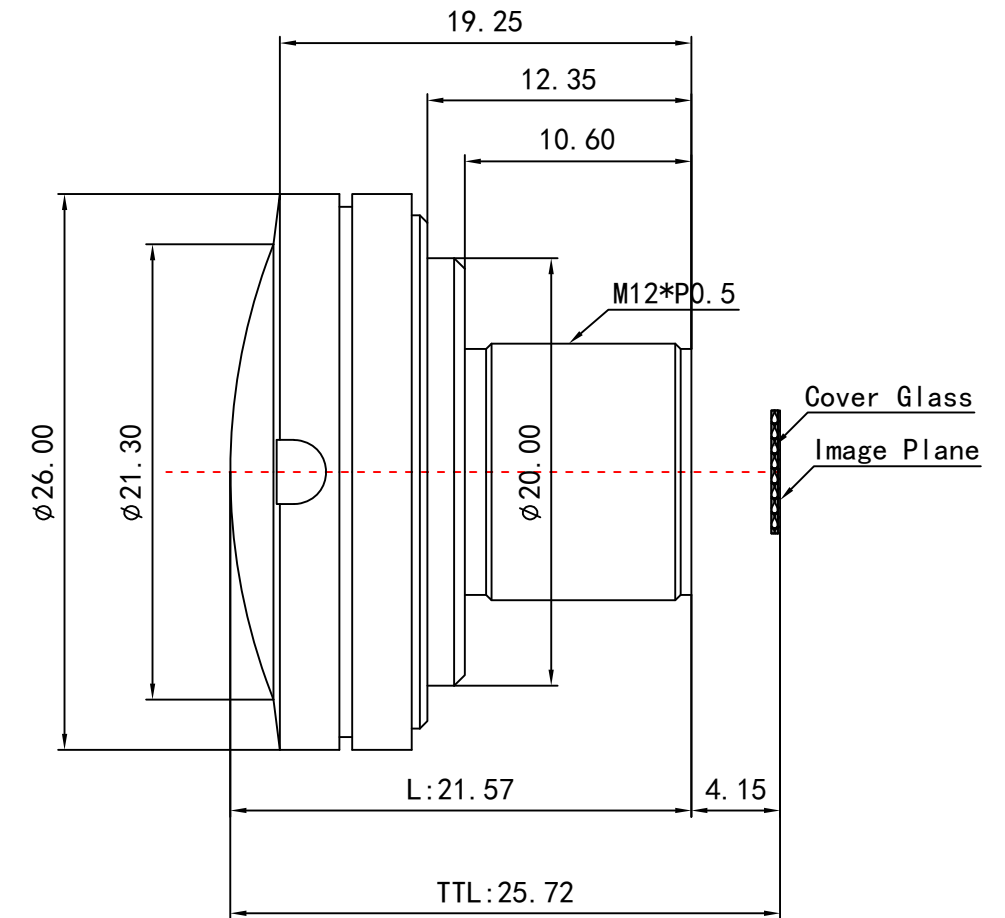
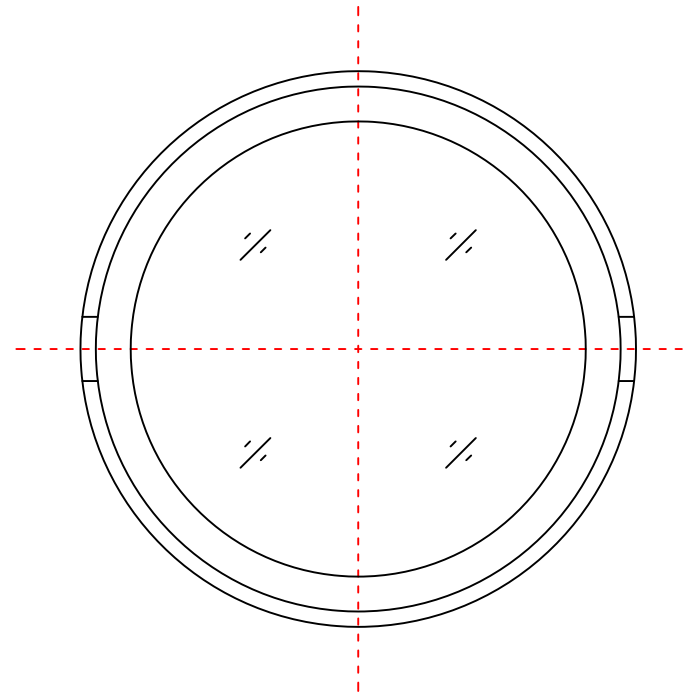
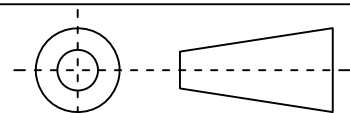


1	Type	Fisheye Lens	
2	Resolution	3MP	
3	Image Format	1/1.8"	
4	Image Circle	φ5.0mm(MAX)	
5	EFL	1.8mm	
6	TTL	25.72mm	
7	F/NO.	2.8	
8	FFL (M)	4.15mm	
9	BFL (O)	4.35mm	
10	For Sensor	1/1.8"	1/2.7"
11	F.O.V	Horizontal	185°
12		Vertical	185°
13		Diagonal	185°
14	OPT Distortion	<-100%	
15	Relative Ill.	>90%	
16	Chief Ray Angle	<13°	
17	M.O.D	0.1m~∞	
18	Mount Type	M12*P0.5	
19	Dimension Figure	φ26.0*L21.57mm	
20	Lens Structure	9G	
21	IR-Filter	Non IR	
22	Weight	13.1g	
23	Iris Operation	Fixed	
24	Zoom Operation	Fixed	
25	Focus Operation	Manual	
26	Operating Temperature	-20° ~ +85°	
27	Storage Temperature	-20° ~ +85°	



Scale	Remark	Tolerances	Date	Revised		福州创安光电科技有限公司 FUZHOU CHUANGAN OPTICS CO., LTD
3: 1	X	± 0.2	2020-08-11	CH320A Rev1.1		
	X.0	± 0.15				
Units	X.00	± 0.10	Design	Linda	2014-10-15	 3D Angle Projection
	X.000	± 0.001	Checked	Anna	2014-11-12	
mm	Angle	± 0.5°	Approval	Sanmu	2015-01-15	