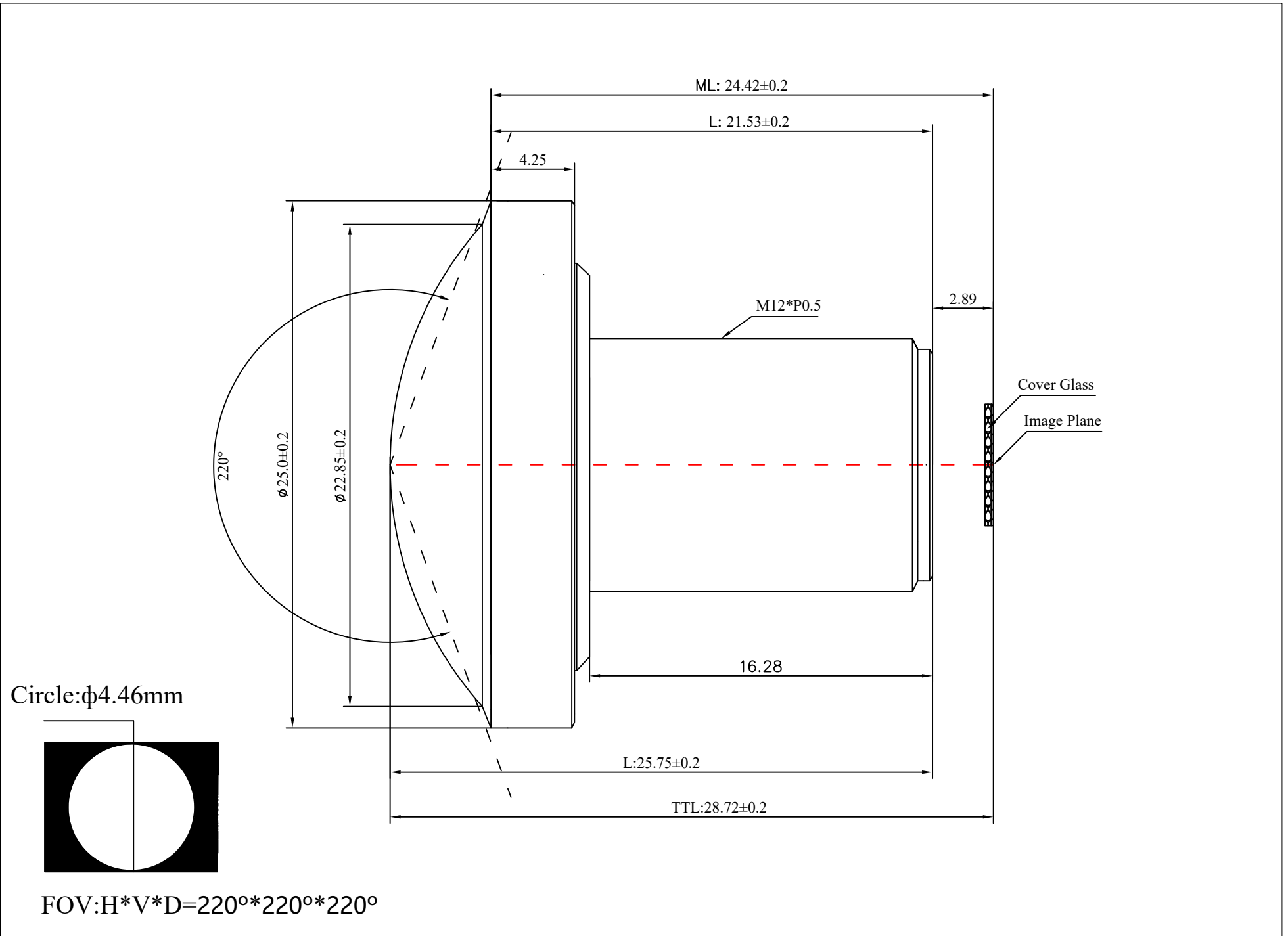


1	Type	Fisheye Lens	
2	Resolution	16MP	
3	Image Format	1/2.3"&1/3"	
4	Image Circle	φ4.46mm(MAX)	
5	EFL	1.21mm	
6	TTL	28.72mm	
7	F/NO.	2.0	
8	FFL (M)	2.89mm	
9	BFL (O)	3.95mm	
10	For Sensor	1/2.3"	
11	F.O.V	Horizontal	220°
12		Vertical	220°
13		Diagonal	220°
14	TV Distortion	<-100%	
15	Relative Ill.	>81%	
16	Chief Ray Angle	<24°	
17	M.O.D	0.1m~∞	
18	Mount Type	M12*P0.5	
19	Dimension Figure	φ25.00*L25.75mm	
20	Lens Structure	10G	
21	IR-Filter	Non-IR	
22	Waterproof	No	
23	Weight	14.8g	
24	Iris Operation	Fixed	
25	Zoom Operation	Fixed	
26	Focus Operation	Manual	
27	Operating Temperature	-20° ~+85°	
28	Storage Temperature	-20° ~+85°	



Scale	Remark	Tolerances	Date	Revised		福州创安光电科技有限公司 FUZHOU CHUANGAN OPTICS CO., LTD
3 : 1	X	±0.2	2019-04-26	CH308A Rev1.0		
	X.0	±0.15				
Units	X.00	±0.10	Design	Linda	2016-09-05	
	X.000	±0.001	Checked	Anna	2016-11-16	
mm	Angle	±0.5°	Approval	Sanmu	2016-11-19	

