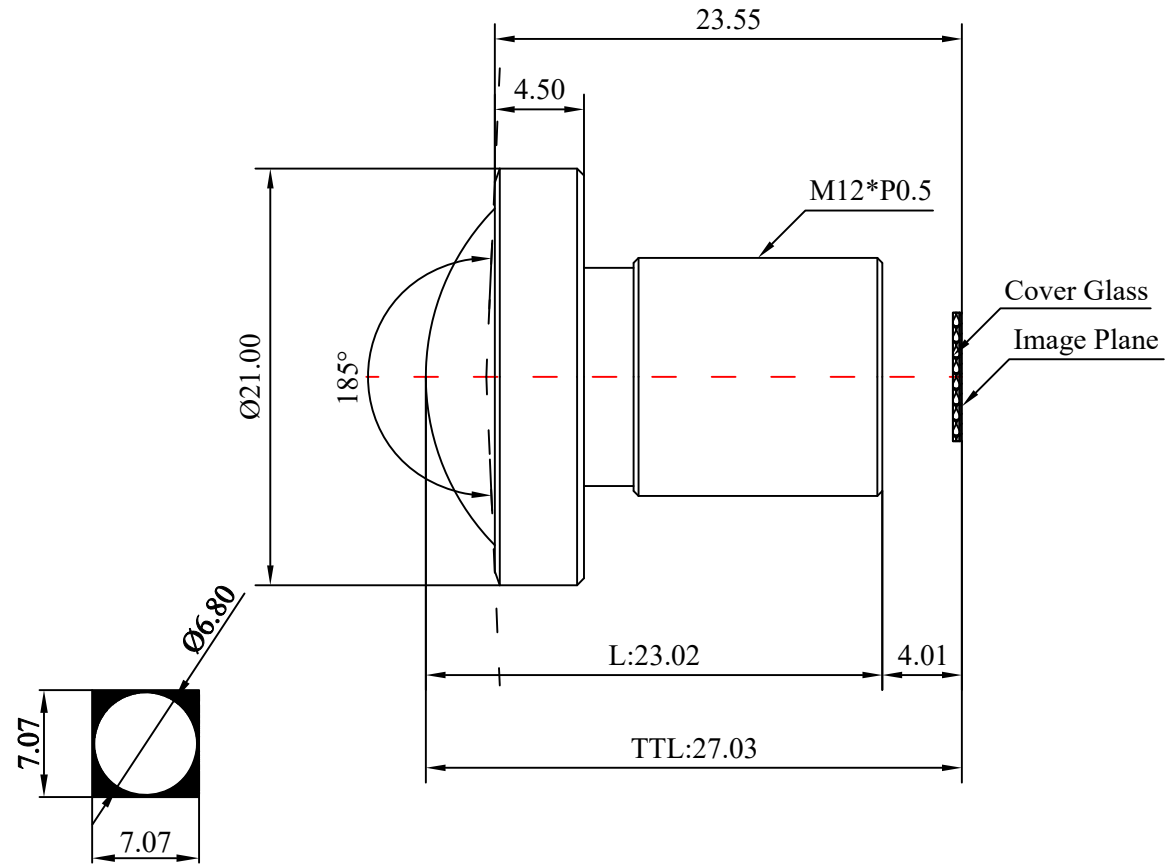


1	Type	Fisheye Lens	
2	Resolution	12MP	
3	Image Format	1/1.6"	
4	Image Circle	φ6.8mm(MAX)	
5	EFL	1.80mm	
6	TTL	27.03mm	
7	F/NO.	F2.3	
8	FFL (M)	4.01mm	
9	BFL (O)	4.87mm	
10	For Sensor	IMX676	
11	F.O.V	Horizontal	185°
12		Vertical	185°
13		Diagonal	185°
14	F-Theta Distortion	<15.5%	
15	Relative Ill.	>92.5%	
16	Chief Ray Angle	<10°	
17	M.O.D	0.01m~∞	
18	Mount Type	M12*P0.5	
19	Dimension Figure	φ21.00*L23.02mm	
20	Lens Structure	10G	
21	IR-Filter	Non-IR	
22	Waterproof	No	
23	Weight	---	
24	Iris Operation	Fixed	
25	Zoom Operation	Fixed	
26	Focus Operation	Manual	
27	Operating Temperature	-25° ~+85°	
28	Storage Temperature	-25° ~+85°	



Scale	Remark	Tolerances	Date	Revised	
4:1	X	±0.2	2024-06-14	CH301A Rev1.0	
Units	X.00	±0.10	Design	Linda	2024-03-29
	X.000	±0.001	Checked	Anna	2024-04-24
mm	Angle	±0.5°	Approval	Sanmu	2024-05-06

福州创安光电科技有限公司  
 FUZHOU CHUANGAN OPTICS CO., LTD

