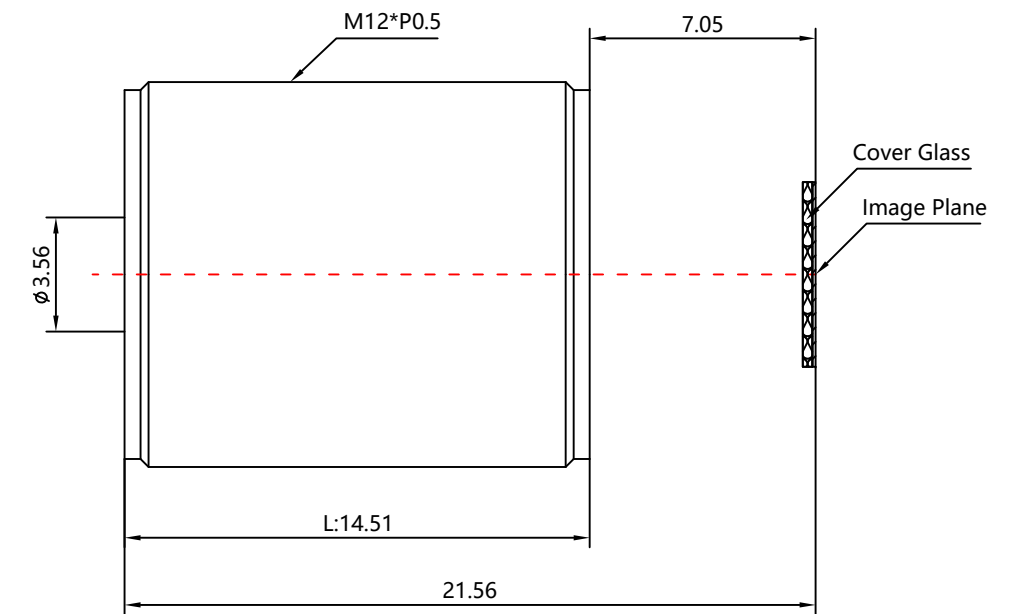
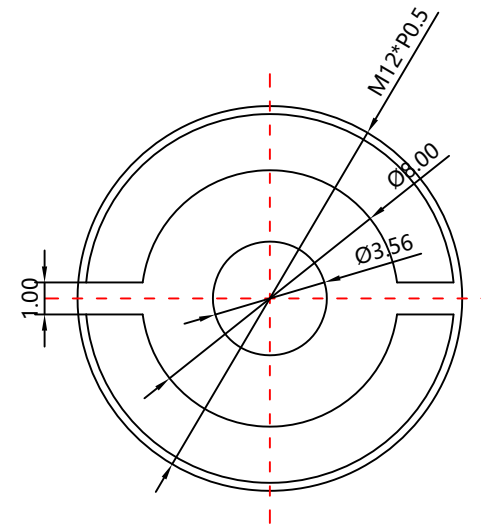


1	Sensor	1/3"
2	Resolution	MP
3	Image Format	5.76*3.36*6.61mm
4	Image Circle	φ6.70mm(MAX)
5	EFL	15.3mm
6	TTL	21.56mm
7	F/NO.	2.5
8	FFL (M)	7.05mm
9	BFL (O)	9.68mm
10	Enlarge	200X
11	F.O.V	TBD
12		
13		
14	TV Distortion	TBD
15	Relative Ill.	TBD
16	Chief Ray Angle	TBD
17	M.O.D	TBD
18	Mount Type	M12*P0.5
19	Dimension Figure	φ12.0*L14.51mm
20	Lens Structure	2G
21	IR-Filter	No IR
22	Weight	3.3g
23	Iris Operation	Fixed
24	Zoom Operation	Fixed
25	Focus Operation	Manual
26	Operating Temperature	-20° ~+45°
27	Storage Temperature	-20° ~+85°



Scale	Remark	Tolerances	Date	Revised		福州创安光电科技有限公司 FUZHOU CHUANGAN OPTICS CO., LTD
3: 1	X	± 0.2	2019-07-12	CH2300A Rev1.0		
	X.0	± 0.15				
Units	X.00	± 0.10	Design	Linda	2015-04-15	
	X.000	± 0.001	Checked	Anna	2015-05-30	
mm	Angle	± 0.5°	Approval	Sanmu	2015-05-03	

