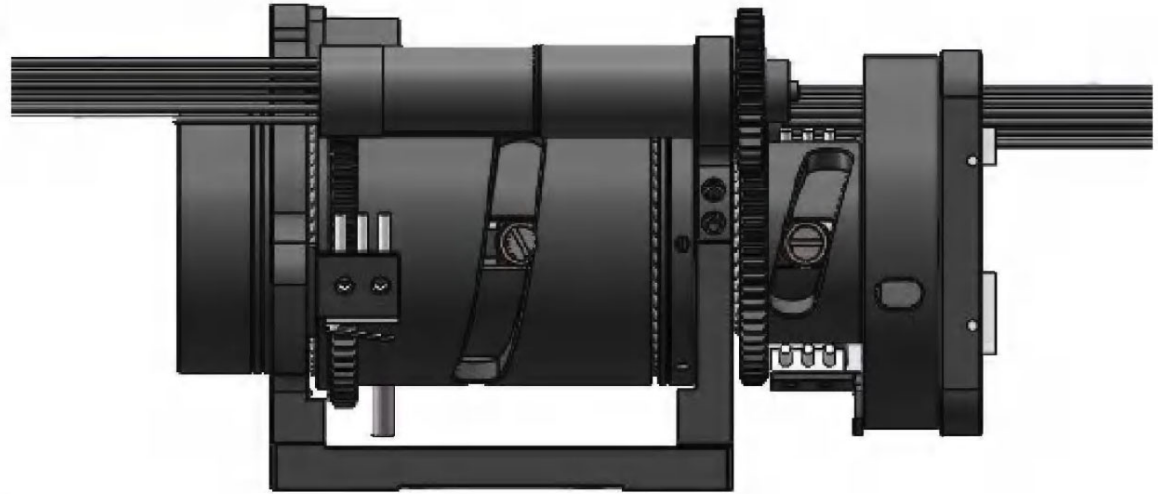
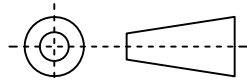


| | | | |
|----|---------------------------|----------------------------|-------------|
| 1 | Type | Motorized Zoom Lens | |
| 2 | Adaptive Camera Pixels | 1920*1080 | 1920*1080 |
| 3 | Pixel Size(μm) | 3 | 3.45 |
| 4 | Format | 5.76*3.24 | 6.624*3.726 |
| 5 | Camera Diagonal Size | 6.61 | 7.60 |
| 6 | F.O.V (W-T) | Horizontal | 8.04°~2.01° |
| 7 | | Vertical | 4.53°~1.13° |
| 8 | | Diagonal | 9.22°~2.31° |
| 9 | Focal Length(mm) | 41~164mm | |
| 10 | F.No | F6.5~F7 | |
| 11 | Operating Band | 400-700m | |
| 12 | Resolution Ratio (lp/mm) | 167 | 145 |
| 13 | OPT Max Resolution(lp/mm) | 200 | 200 |
| 14 | TOTR(mm) | 85 | 85 |
| 15 | MAX Clear Aperture(mm) | Ø25 | |
| 16 | Back Focal Length(mm) | 13.8 Fliters Included | |
| 17 | Distortion | ≤2.5% | ≤2.5% |
| 18 | Nearest Work Distance | 20m | 20m |
| 19 | Focus | Rear Group Motorized Focus | |
| 20 | Focusing Time | Customization | |
| 21 | Zoom | Motorized Continuous Zoom | |
| 22 | Zoming Time | Customization | |
| 23 | Filter switching | Electric Switching | |
| 24 | MAX Structural Size(mm) | 59*53*88 | |
| 25 | Weight(g) | <300 | |
| 26 | Power Input(V) | <12 | |
| 27 | Operating Temperature | -25° ~+85° | |
| 28 | Optical Axis Consistency | ≤2 Pixels | |



| Scale | Remark | Tolerances | Date | Revsied | | 福州创安光电科技有限公司 FUZHOU CHUANGAN OPTICS CO., LTD |
|-------|--------|------------|------------|---------------|------------|--------------------------------------------------------------------------------------------------------------|
| 4: 1 | X | ±0.2 | 2024-12-05 | CH225A Rev1.0 | | |
| | X.0 | ±0.15 | | | | |
| Units | X.00 | ±0.10 | Design | Linda | 2024-03-03 |  3D Angle Projection |
| | X.000 | ±0.001 | Checked | Anna | 2024-03-12 | |
| mm | Angle | ±0.05° | Approval | Sanmu | 2024-04-03 | |