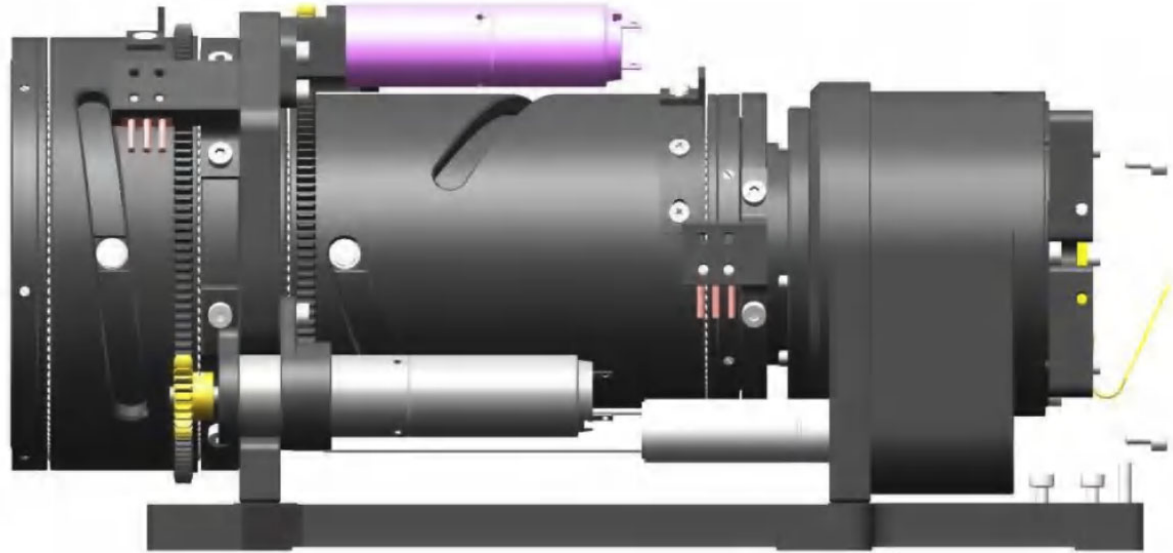
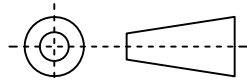


1	Type	Motorized Zoom Lens			
2	Adaptive Camera Pixels	1920*1080	1920*1080	1920*1080	
3	Pixel Size(μm)	2.7	3.45	4	
4	Format	5.184*2.916	6.624*3.726	7.68*4.32	
5	Camera Diagonal Size	5.95	7.60	8.81	
6	F.O.V (W-T)	Horizontal	17.34°~1.49°	22.05°~1.90°	25.46°~2.20°
7		Vertical	9.80°~0.84°	12.51°~1.07°	14.48°~1.24°
8		Diagonal	19.85°~1.70°	25.20°~2.18°	29.06°~2.52°
9	Focal Length(mm)	17~200mm			
10	F.No	F3.8~F5.0			
11	Operating Band	400-700nm&750-950nm			
12	Resolution Ratio (lp/mm)	185	145	125	
13	OPT Max Resolution(lp/mm)	220	220	220	
14	TOTR(mm)	163.4	163.4	163.4	
15	MAX Clear Aperture(mm)	Ø48			
16	Back Focal Length(mm)	23.85 Filters Included			
17	Distortion	≤1.5%	≤2%	≤3%	
18	Nearest Work Distance	5m			
19	Focus	Front Group Motorized Focus			
20	Focusing Time	Customization			
21	Zoom	Motorized Continuous Zoom			
22	Zoming Time	Customization			
23	Filter switching	Electric Switching			
24	MAX Structural Size(mm)	85.5*84.5*170.1			
25	Weight(g)	<800			
26	Power Input(V)	<12			
27	Operating Temperature	-25° ~+85°			
28	Optical Axis Consistency	≤2 Pixels			



Scale	Remark	Tolerances	Date	Revsied		福州创安光电科技有限公司 FUZHOU CHUANGAN OPTICS CO., LTD
4: 1	X	±0.2	2024-12-05	CH216A Rev1.0		
	X.0	±0.15				
Units	X.00	±0.10	Design	Linda	2024-03-03	 3D Angle Projection
	X.000	±0.001	Checked	Anna	2024-03-12	
mm	Angle	±0.05°	Approval	Sanmu	2024-04-03	