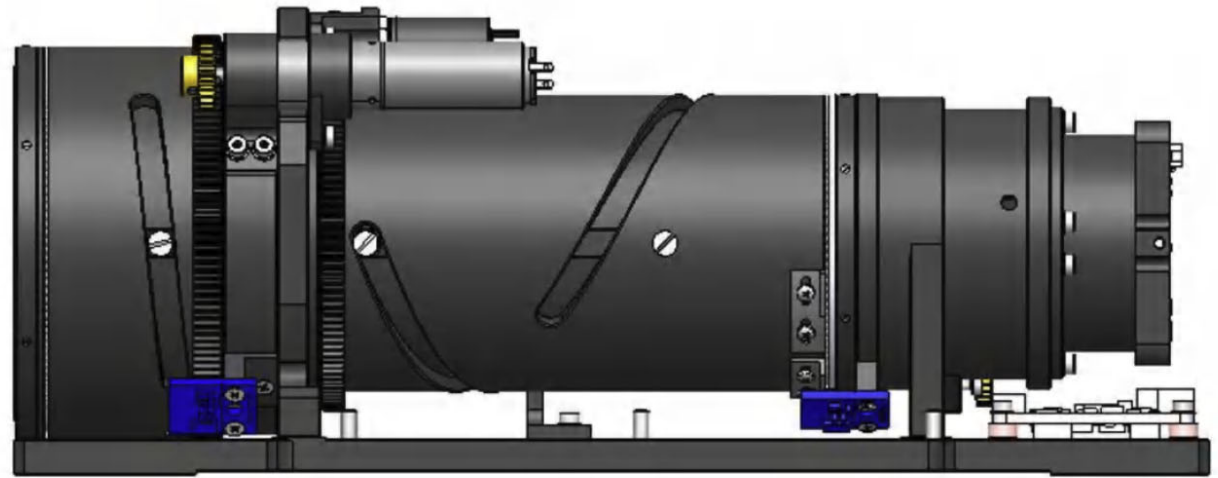
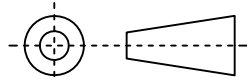


1	Type	Motorized Zoom Lens	
2	Adaptive Camera Pixels	1920*1080	1920*1080
3	Pixel Size(μm)	3.45	4
4	Format	6.624*3.726	7.68*4.32
5	Camera Diagonal Size	7.60	8.81
6	F.O.V (W-T)	Horizontal	24.90°~0.95°
7		Vertical	14.16°~0.53°
8		Diagonal	28.43°~1.09°
9	Focal Length(mm)	15~400mm	
10	F.No	F8	
11	Operating Band	400-700nm&750-950nm	
12	Resolution Ratio (lp/mm)	145	125
13	OPT Max Resolution(lp/mm)	200	100
14	TOTR(mm)	210	210
15	MAX Clear Aperture(mm)	Ø42	
16	Back Focal Length(mm)	42 Fliters Included	
17	Distortion	≤1.5%	≤1.5%
18	Nearest Work Distance	20m	20m
19	Focus	Front Group Motorized Focus	
20	Focusing Time	Customization	
21	Zoom	Motorized Continuous Zoom	
22	Zoming Time	Customization	
23	Filter switching	Electric Switching	
24	MAX Structural Size(mm)	95*88*217.2	
25	Weight(g)	<1800	
26	Power Input(V)	<12	
27	Operating Temperature	-25° ~+85°	
28	Optical Axis Consistency	≤2 Pixels	



Scale	Remark	Tolerances	Date	Revsied		福州创安光电科技有限公司 FUZHOU CHUANGAN OPTICS CO., LTD
	X	±0.2	2024-12-05	CH212A Rev1.0		
4: 1	X.0	±0.15				 3D Angle Projection
	X.00	±0.10	Design	Linda	2024-03-03	
Units	X.000	±0.001	Checked	Anna	2024-03-12	
	mm	Angle	±0.05°	Approval	Sanmu	2024-04-03