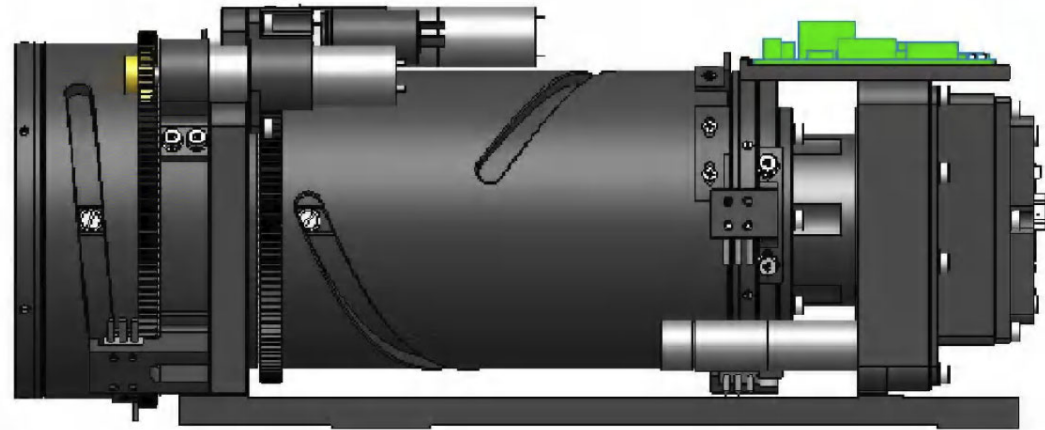
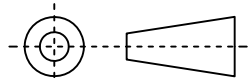


1	Type	Motorized Zoom Lens	
2	Adaptive Camera Pixels	1920*1080	1920*1080
3	Pixel Size(μm)	3.45	4
4	Format	6.624*3.726	7.68*4.32
5	Camera Diagonal Size	7.60	8.81
6	F.O.V (W-T)	Horizontal	30.86°~0.95°
7		Vertical	17.65°~0.53°
8		Diagonal	35.14°~1.09°
9	Focal Length(mm)	12~400mm	
10	F.No	F6-F8	
11	Operating Band	400-700nm&750-950nm	
12	Resolution Ratio (lp/mm)	145	125
13	OPT Max Resolution(lp/mm)	180	180
14	TOTR(mm)	202	202
15	MAX Clear Aperture(mm)	Ø50	
16	Back Focal Length(mm)	38.4 Fliters Included	
17	Distortion	≤2%	≤2%
18	Nearest Work Distance	20m	20m
19	Focus	Front Group Motorized Focus	
20	Focusing Time	Customization	
21	Zoom	Motorized Continuous Zoom	
22	Zoming Time	Customization	
23	Filter switching	Electric Switching	
24	MAX Structural Size(mm)	77*84.5*207	
25	Weight(g)	<1500	
26	Power Input(V)	<12	
27	Operating Temperature	-25° ~+85°	
28	Optical Axis Consistency	≤2 Pixels	



Scale	Remark	Tolerances	Date	Revsied		福州创安光电科技有限公司 FUZHOU CHUANGAN OPTICS CO., LTD
4: 1	X	±0.2	2024-12-05	CH208A Rev1.0		
	X.0	±0.15				
Units	X.00	±0.10	Design	Linda	2024-03-03	 3D Angle Projection
	X.000	±0.001	Checked	Anna	2024-03-12	
mm	Angle	±0.05°	Approval	Sanmu	2024-04-03	